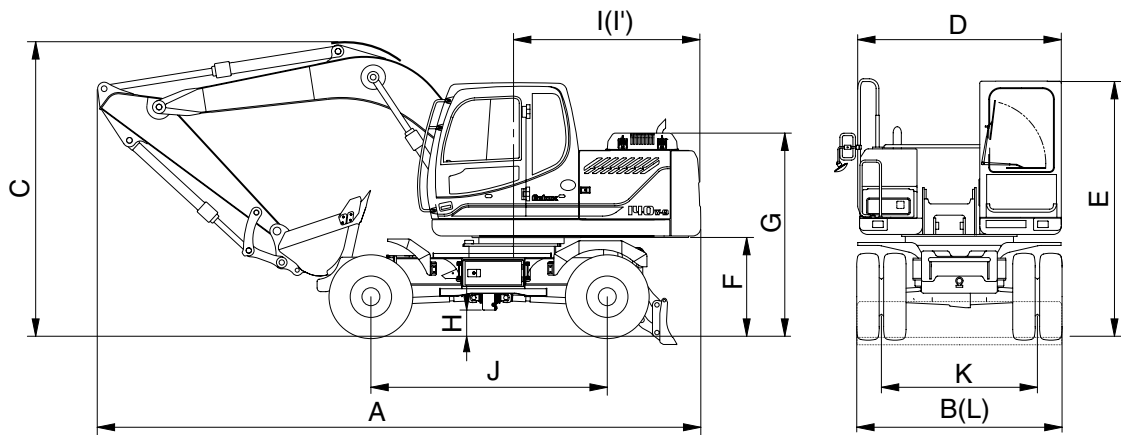


2. SPECIFICATIONS

1) 4.6 m (15' 1") ONE PIECE BOOM, 2.1 m (6' 11") ARM AND REAR DOZER BLADE



14W92SP02

Description		Unit	Specification
Operating weight		kg (lb)	13700 (30200)
Bucket capacity (SAE heaped), standard		m ³ (yd ³)	0.58 (0.76)
Overall length	A	mm (ft-in)	7760 (25' 6")
Overall width	B		2500 (8' 2")
Overall height	C		3500 (11' 6")
Upperstructure width	D		2475 (8' 1")
Cab height	E		3140 (10' 4")
Ground clearance of counterweight	F		1210 (4' 0")
Engine cover height	G		2320 (7' 7")
Minimum ground clearance	H		397 (1' 4")
Rear-end distance	I		2330 (7' 8")
Rear-end swing radius	I'		2330 (7' 8")
Wheel base	J		2600 (8' 6")
Tread	K		1929 (6' 4")
Dozer blade width	L		2490 (8' 2")
Travel speed	Low		km/hr (mph)
	High	37 (23.0)	
	Creep	3.5 (2.2)	
Swing speed		rpm	13.0
Gradeability		Degree (%)	35 (70)
Max traction force		kgf (lbf)	8500 (18740)