

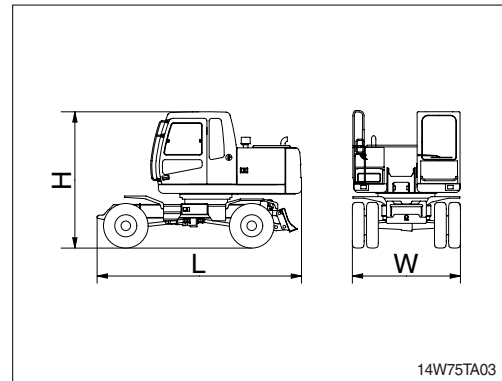
### 3. DIMENSION AND WEIGHT

#### 1) ROBEX 140W-7A

##### (1) Base machine

Mark	Description	Unit	Specification
L	Length	mm (ft-in)	4395 (14' 5")
H	Height	mm (ft-in)	3140 (10' 4")
W	Width	mm (ft-in)	2500 (8' 2")
Wt	Weight	kg (lb)	11120 (24515)

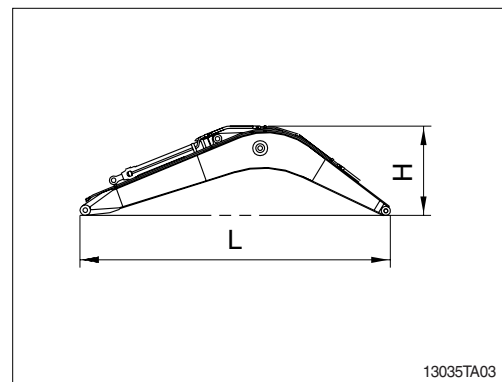
※ 1900kg (4190lb) counterweight.



##### (2) Boom assembly

Mark	Description	Unit	Specification
L	Length	mm (ft-in)	4760 (15' 7")
H	Height	mm (ft-in)	1340 ( 4' 5")
W	Width	mm (ft-in)	520 ( 1' 8")
Wt	Weight	kg (lb)	1020 (2250)

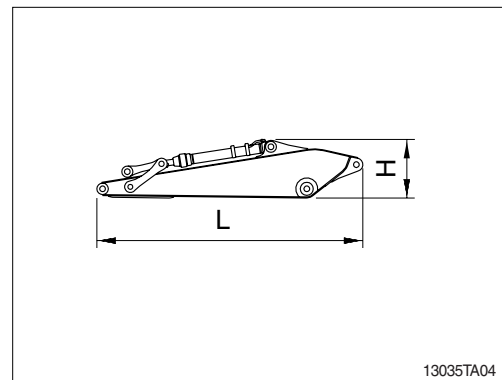
※ 4.6m (15' 1") boom with arm cylinder (Included piping and pins).



##### (3) Arm assembly

Mark	Description	Unit	Specification
L	Length	mm (ft-in)	2880 ( 9' 5")
H	Height	mm (ft-in)	810 ( 2' 8")
W	Width	mm (ft-in)	380 ( 1' 3")
Wt	Weight	kg (lb)	570 (1260)

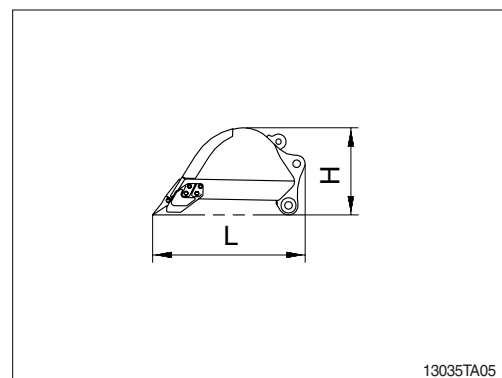
※ 2.10m (6'11") arm with bucket cylinder (Included linkage and pins).



##### (4) Bucket assembly

Mark	Description	Unit	Specification
L	Length	mm (ft-in)	1400 ( 4' 7")
H	Height	mm (ft-in)	800 ( 2' 7")
W	Width	mm (ft-in)	1130 ( 3' 8")
Wt	Weight	kg (lb)	480 (1060)

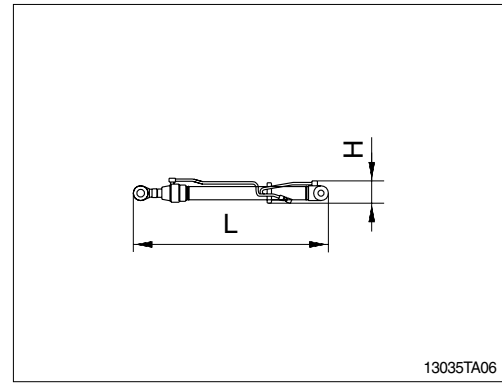
※ 0.58m<sup>3</sup> (0.76yd<sup>3</sup>) SAE heaped bucket (Included tooth and side cutters).



**(5) Boom cylinder**

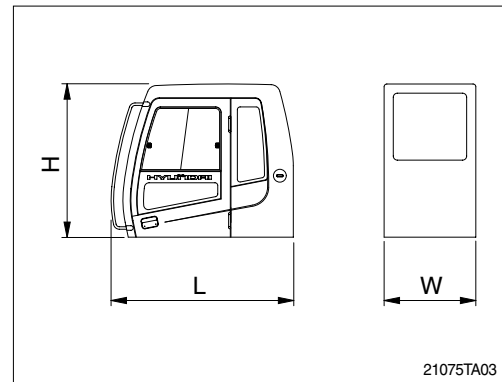
Mark	Description	Unit	Specification
L	Length	mm (ft-in)	1760 ( 5' 9")
H	Height	mm (ft-in)	210 ( 0' 8")
W	Width	mm (ft-in)	310 ( 1' 0")
Wt	Weight	kg (lb)	260 (570)

※ Included piping.



**(6) Cab assembly**

Mark	Description	Unit	Specification
L	Length	mm (ft-in)	1962 ( 6' 4")
H	Height	mm (ft-in)	1676 ( 5' 5")
W	Width	mm (ft-in)	1288 ( 4' 2")
Wt	Weight	kg (lb)	310 (680)



**(7) Counterweight**

Mark	Description	Unit	Specification
L	Length	mm (ft-in)	2475 ( 8' 1")
H	Height	mm (ft-in)	1050 ( 3' 5")
W	Width	mm (ft-in)	450 ( 6' 6")
Wt	Weight	kg (lb)	1900 (4190)

