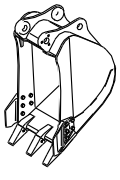
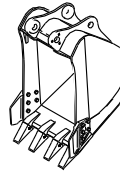
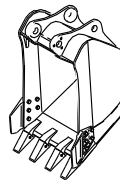
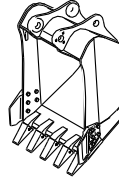
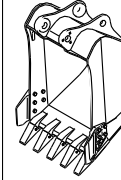
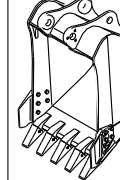
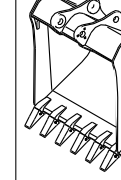


## 6. BUCKET SELECTION GUIDE


### 1) GENERAL BUCKET


						
0.23m <sup>3</sup> SAE heaped bucket	0.40m <sup>3</sup> SAE heaped bucket	0.46m <sup>3</sup> SAE heaped bucket	0.52m <sup>3</sup> SAE heaped bucket	※0.58m <sup>3</sup> SAE heaped bucket	0.65m <sup>3</sup> SAE heaped bucket	0.71m <sup>3</sup> SAE heaped bucket

Capacity		Width		Weight	Recommendation						
					4.6m (15' 1") Mono boom			4.9m (16' 9") Hyd adjustable boom			
SAE heaped	CECE heaped	Without side cutter	With side cutter		1.9m arm (6' 3")	2.1m arm (6' 11")	2.5m arm (8' 2")	3.0m arm (9' 10")	1.9m arm (6' 3")	2.1m arm (6' 11")	2.5m arm (8' 2")
0.23m <sup>3</sup> (0.30yd <sup>3</sup> )	0.20m <sup>3</sup> (0.26yd <sup>3</sup> )	520mm (20.5")	620mm (24.4")	335kg (740lb)							
0.40m <sup>3</sup> (0.52yd <sup>3</sup> )	0.35m <sup>3</sup> (0.46yd <sup>3</sup> )	760mm (29.9")	860mm (33.9")	410kg (900lb)							
0.46m <sup>3</sup> (0.60yd <sup>3</sup> )	0.40m <sup>3</sup> (0.52yd <sup>3</sup> )	850mm (33.5")	950mm (37.4")	435kg (960lb)							
0.52m <sup>3</sup> (0.68yd <sup>3</sup> )	0.45m <sup>3</sup> (0.59yd <sup>3</sup> )	935mm (36.8")	1035mm (40.8")	460kg (1010lb)							
※0.58m <sup>3</sup> (0.76yd <sup>3</sup> )	0.50m <sup>3</sup> (0.65yd <sup>3</sup> )	1030mm (40.6")	1130mm (44.5")	480kg (1060lb)							
0.65m <sup>3</sup> (0.85yd <sup>3</sup> )	0.55m <sup>3</sup> (0.72yd <sup>3</sup> )	1110mm (43.7")	1210mm (47.6")	500kg (1100lb)							
0.71m <sup>3</sup> (0.93yd <sup>3</sup> )	0.60m <sup>3</sup> (0.78yd <sup>3</sup> )	1205mm (47.4")	-	540kg (1190lb)							

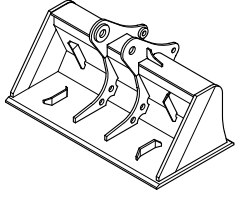
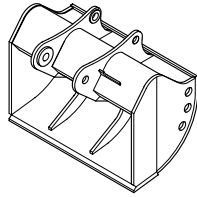
※ : Standard bucket

 Applicable for materials with density of 2000kg/m<sup>3</sup> (3370lb/yd<sup>3</sup>) or less

 Applicable for materials with density of 1600kg/m<sup>3</sup> (2700lb/yd<sup>3</sup>) or less

 Applicable for materials with density of 1100kg/m<sup>3</sup> (1850lb/yd<sup>3</sup>) or less

## (2) Special bucket

<p>Slope finishing bucket</p> 	<p>Ditch cleaning bucket</p> 
<p>0.55m<sup>3</sup> SAE heaped bucket</p>	<p>★0.45m<sup>3</sup> SAE heaped bucket</p>

Capacity		Width		Weight	Recommendation					
					4.6m (15' 1") Mono boom			4.9m (16' 9") Hyd adjustable boom		
SAE heaped	CECE heaped	Without side cutter	With side cutter		1.9m arm (6' 3")	2.1m arm (6' 11")	2.5m arm (8' 2")	1.9m arm (6' 3")	2.1m arm (6' 11")	2.5m arm (8' 2")
0.55m <sup>3</sup> (0.72yd <sup>3</sup> )	0.45m <sup>3</sup> (0.59yd <sup>3</sup> )	1800mm (70.9")	-	585kg (1290lb)						
★0.45m <sup>3</sup> (0.59yd <sup>3</sup> )	0.40m <sup>3</sup> (0.52yd <sup>3</sup> )	1520mm (59.8")	-	410kg (900lb)						

: Slope finishing bucket

★ : Ditch cleaning bucket

Applicable for materials with density of 2000kgf/m<sup>3</sup> (3370lbf/yd<sup>3</sup>) or less

Applicable for materials with density of 1600kgf/m<sup>3</sup> (2700lbf/yd<sup>3</sup>) or less

Applicable for materials with density of 1100kgf/m<sup>3</sup> (1850lbf/yd<sup>3</sup>) or less