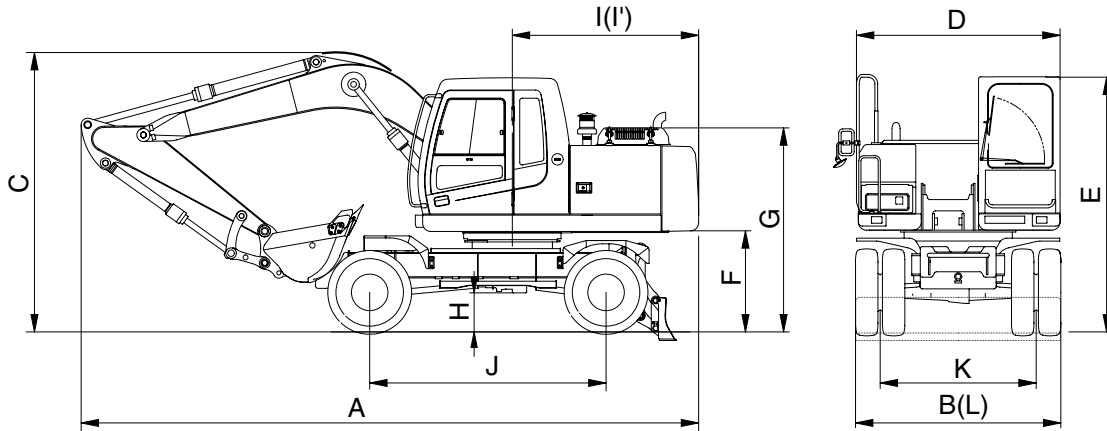


2. SPECIFICATIONS

1) 4.6m (15' 1") ONE PIECE BOOM, 2.1m (6' 11") ARM AND REAR DOZER BLADE



14W7A2SP02

Description		Unit	Specification
Operating weight		kg (lb)	13500 (29760)
Bucket capacity (SAE heaped), standard		m ³ (yd ³)	0.58 (0.76)
Overall length	A	mm (ft-in)	7800 (25' 7")
Overall width	B		2500 (8' 2")
Overall height	C		3500 (11' 6")
Upperstructure width	D		2475 (8' 1")
Cab height	E		3140 (10' 4")
Ground clearance of counterweight	F		1240 (4' 1")
Engine cover height	G		2340 (7' 8")
Minimum ground clearance	H		435 (1' 5")
Rear-end distance	I		2290 (7' 6")
Rear-end swing radius	I'		2310 (7' 7")
Wheel base	J		2600 (8' 6")
Tread	K		1929 (6' 4")
Dozer blade width	L		2490 (8' 2")
Travel speed	Low		km/hr (mph)
	High	30.0 (18.7)	
Swing speed		rpm	12.4
Gradeability		Degree (%)	33 (65)