

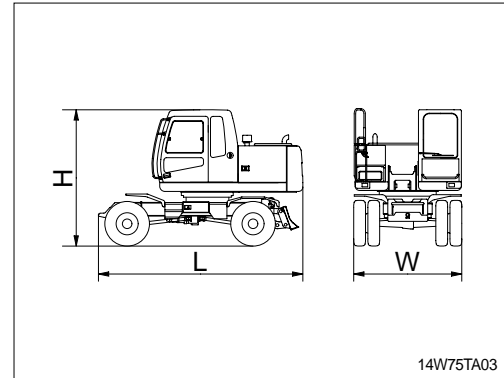
3. DIMENSION AND WEIGHT

1) ROBEX 140W-7

(1) Base machine

Mark	Description	Unit	Specification
L	Length	mm(ft-in)	4395(14' 5")
H	Height	mm(ft-in)	3140(10' 4")
W	Width	mm(ft-in)	2500(8' 2")
Wt	Weight	kg(lb)	11120(24515)

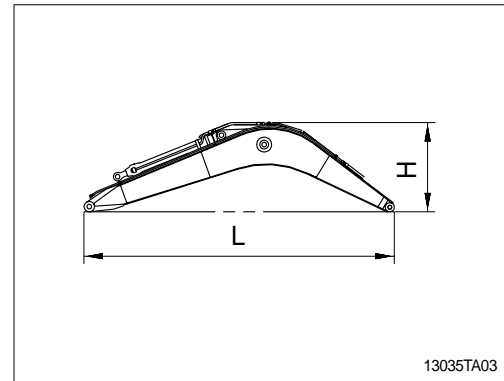
1900kg(4190lb) counterweight.



(2) Boom assembly

Mark	Description	Unit	Specification
L	Length	mm(ft-in)	4760(15' 7")
H	Height	mm(ft-in)	1340(4' 5")
W	Width	mm(ft-in)	520(1' 8")
Wt	Weight	kg(lb)	1020(2250)

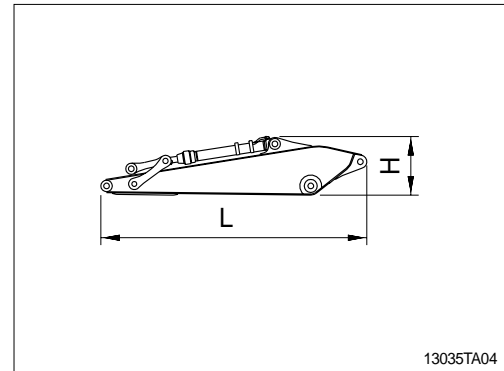
4.6m(15' 1") boom with arm cylinder(Included piping and pins).



(3) Arm assembly

Mark	Description	Unit	Specification
L	Length	mm(ft-in)	2880(9' 5")
H	Height	mm(ft-in)	810(2' 8")
W	Width	mm(ft-in)	380(1' 3")
Wt	Weight	kg(lb)	570(1260)

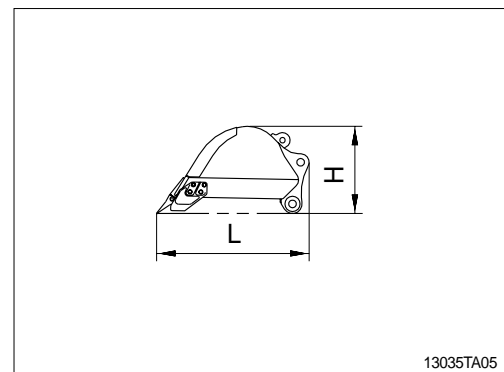
2.10m(6'11") arm with bucket cylinder(Included linkage and pins).



(4) Bucket assembly

Mark	Description	Unit	Specification
L	Length	mm(ft-in)	1400(4' 7")
H	Height	mm(ft-in)	800(2' 7")
W	Width	mm(ft-in)	1130(3' 8")
Wt	Weight	kg(lb)	480(1060)

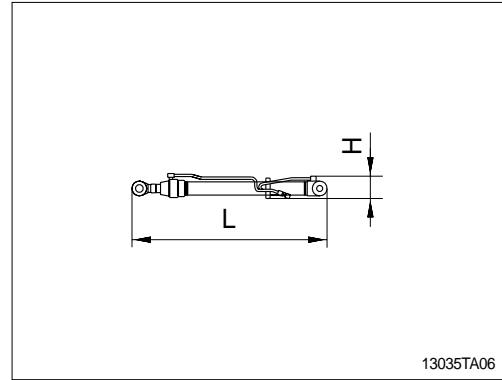
0.58m³(0.76yd³) SAE heaped bucket(Included tooth and side cutters).



(5) Boom cylinder

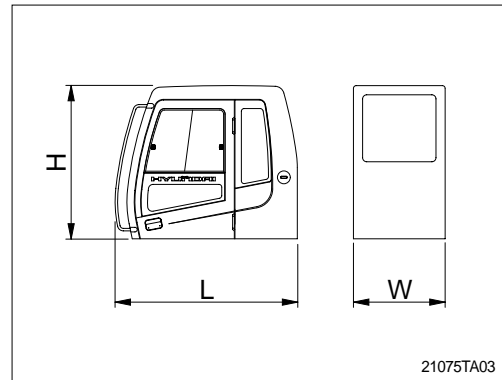
Mark	Description	Unit	Specification
L	Length	mm(ft-in)	1760(5' 9")
H	Height	mm(ft-in)	210(0' 8")
W	Width	mm(ft-in)	310(1' 0")
Wt	Weight(2EA)	kg(lb)	260(570)

Included piping.



(6) Cab assembly

Mark	Description	Unit	Specification
L	Length	mm(ft-in)	1962(6' 4")
H	Height	mm(ft-in)	1676(5' 5")
W	Width	mm(ft-in)	1288(4' 2")
Wt	Weight	kg(lb)	310(680)



(7) Counterweight

Mark	Description	Unit	Specification
L	Length	mm(ft-in)	2475(8' 1")
H	Height	mm(ft-in)	1050(3' 5")
W	Width	mm(ft-in)	450(1' 6")
Wt	Weight	kg(lb)	1900(4190)

