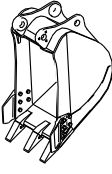
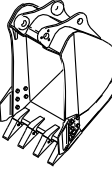

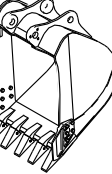

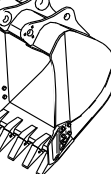
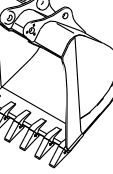


## 6. BUCKET SELECTION GUIDE


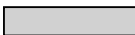

### 1) MONO BOOM

#### (1) General bucket

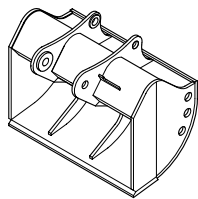
|   |   |   |   |  |   |   |
|---|---|---|---|--|---|---|
|  |  |  |  |  |  |  |
| 0.23m <sup>3</sup> SAE<br>heaped bucket   | 0.40m <sup>3</sup> SAE<br>heaped bucket   | 0.46m <sup>3</sup> SAE<br>heaped bucket   | 0.52m <sup>3</sup> SAE<br>heaped bucket   | 0.58m <sup>3</sup> SAE<br>heaped bucket  | 0.65m <sup>3</sup> SAE<br>heaped bucket   | 0.71m <sup>3</sup> SAE<br>heaped bucket   |

| Capacity                                     |  | Width                  |                     | Weight            | Recommendation      |                     |                     |                     |
|--|--|------------------------|---------------------|-------------------|---------------------|---------------------|---------------------|---------------------|
| SAE<br>heaped                                | CECE<br>heaped                               | Without<br>side cutter | With<br>side cutter |                   | 4.6m(15' 1") boom   |                     |                     |                     |
|  |  |                        |                     |                   | 1.9m arm<br>(6' 3") | 2.1m arm<br>(6'11") | 2.5m arm<br>(8' 2") | 3.0m arm<br>(9'10") |
| 0.23m <sup>3</sup><br>(0.30yd <sup>3</sup> ) | 0.20m <sup>3</sup><br>(0.26yd <sup>3</sup> ) | 520mm<br>(20.5")       | 620mm<br>(24.4")    | 335kg<br>(740lb)  |                     |                     |                     |                     |
| 0.40m <sup>3</sup><br>(0.52yd <sup>3</sup> ) | 0.35m <sup>3</sup><br>(0.46yd <sup>3</sup> ) | 760mm<br>(29.9")       | 860mm<br>(33.9")    | 410kg<br>(900lb)  |                     |                     |                     |                     |
| 0.46m <sup>3</sup><br>(0.60yd <sup>3</sup> ) | 0.40m <sup>3</sup><br>(0.52yd <sup>3</sup> ) | 850mm<br>(33.5")       | 950mm<br>(37.4")    | 435kg<br>(960lb)  |                     |                     |                     |                     |
| 0.52m <sup>3</sup><br>(0.68yd <sup>3</sup> ) | 0.45m <sup>3</sup><br>(0.59yd <sup>3</sup> ) | 935mm<br>(36.8")       | 1035mm<br>(40.8")   | 460kg<br>(1010lb) |                     |                     |                     |                     |
| 0.58m <sup>3</sup><br>(0.76yd <sup>3</sup> ) | 0.50m <sup>3</sup><br>(0.65yd <sup>3</sup> ) | 1030mm<br>(40.6")      | 1130mm<br>(44.5")   | 480kg<br>(1060lb) |                     |                     |                     |                     |
| 0.65m <sup>3</sup><br>(0.85yd <sup>3</sup> ) | 0.55m <sup>3</sup><br>(0.72yd <sup>3</sup> ) | 1110mm<br>(43.7")      | 1210mm<br>(47.6")   | 500kg<br>(1100lb) |                     |                     |                     |                     |
| 0.71m <sup>3</sup><br>(0.93yd <sup>3</sup> ) | 0.60m <sup>3</sup><br>(0.78yd <sup>3</sup> ) | 1205mm<br>(47.4")      | -                   | 540kg<br>(1190lb) |                     |                     |                     |                     |

: Standard bucket

-  Applicable for materials with density of 2000kg/m<sup>3</sup> (3370lb/yd<sup>3</sup>) or less
-  Applicable for materials with density of 1600kg/m<sup>3</sup> (2700lb/yd<sup>3</sup>) or less
-  Applicable for materials with density of 1100kg/m<sup>3</sup> (1850lb/yd<sup>3</sup>) or less

## (2) Special bucket

|   |  |
|---|--|
| <p>Slope finishing bucket</p>  | <p>Ditch cleaning bucket</p>  |
| <p>≡ 0.55m<sup>3</sup> SAE<br/>heaped bucket</p>  | <p>0.45m<sup>3</sup> SAE<br/>heaped bucket</p>   |

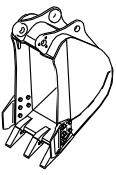
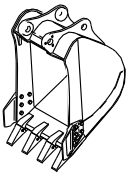
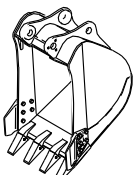
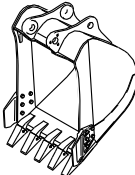
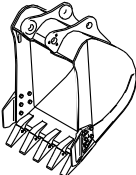
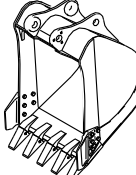
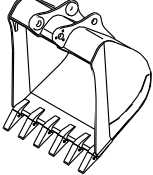
| Capacity                                       |  | Width                  |                     | Weight            | Recommendation      |                     |                     |                     |
|--|--|------------------------|---------------------|-------------------|---------------------|---------------------|---------------------|---------------------|
|  |  |                        |                     |                   | 4.6m (15' 1") boom  |                     |                     |                     |
| SAE<br>heaped                                  | CECE<br>heaped                               | Without<br>side cutter | With<br>side cutter |                   | 1.9m arm<br>(6' 3") | 2.1m arm<br>(6'11") | 2.5m arm<br>(8' 2") | 3.0m arm<br>(9'10") |
| 0.45m <sup>3</sup><br>(0.59yd <sup>3</sup> )   | 0.40m <sup>3</sup><br>(0.52yd <sup>3</sup> ) | 1520mm<br>(59.8")      | -                   | 410kg<br>(900lb)  |                     |                     |                     |                     |
| ≡ 0.55m <sup>3</sup><br>(0.72yd <sup>3</sup> ) | 0.45m <sup>3</sup><br>(0.59yd <sup>3</sup> ) | 1800mm<br>(70.9")      | -                   | 585kg<br>(1290lb) |                     |                     |                     |                     |

≡ : Slope finishing bucket  
 : Ditch cleaning bucket

- Applicable for materials with density of 2000kgf/m<sup>3</sup> (3370lbf/yd<sup>3</sup>) or less
- Applicable for materials with density of 1600kgf/m<sup>3</sup> (2700lbf/yd<sup>3</sup>) or less
- Applicable for materials with density of 1100kgf/m<sup>3</sup> (1850lbf/yd<sup>3</sup>) or less

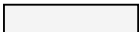


## 2) 2-PIECE BOOM

### (1) General bucket

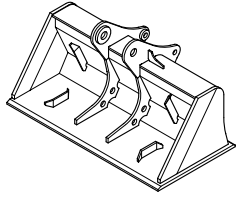
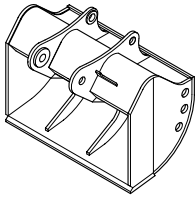
|   |   |   |   |  |   |   |
|---|---|---|---|--|---|---|
|  |  |  |  |  |  |  |
| 0.23m <sup>3</sup> SAE<br>heaped bucket   | 0.40m <sup>3</sup> SAE<br>heaped bucket   | 0.46m <sup>3</sup> SAE<br>heaped bucket   | 0.52m <sup>3</sup> SAE<br>heaped bucket   | 0.58m <sup>3</sup> SAE<br>heaped bucket  | 0.65m <sup>3</sup> SAE<br>heaped bucket   | 0.71m <sup>3</sup> SAE<br>heaped bucket   |

| Capacity                                     |  | Width               |                   | Weight            | Recommendation            |                      |                     |
|--|--|---------------------|-------------------|-------------------|---------------------------|----------------------|---------------------|
| SAE heaped                                   | CECE heaped                                  | Without side cutter | With side cutter  |                   | 4.9m(16' 1") 2-piece boom |                      |                     |
|  |  |                     |                   |                   | 1.9m arm<br>(6' 3")       | 2.1m arm<br>(6' 11") | 2.5m arm<br>(8' 2") |
| 0.23m <sup>3</sup><br>(0.30yd <sup>3</sup> ) | 0.20m <sup>3</sup><br>(0.26yd <sup>3</sup> ) | 520mm<br>(20.5")    | 620mm<br>(24.4")  | 335kg<br>(740lb)  |                           |                      |                     |
| 0.40m <sup>3</sup><br>(0.52yd <sup>3</sup> ) | 0.35m <sup>3</sup><br>(0.46yd <sup>3</sup> ) | 760mm<br>(29.9")    | 860mm<br>(33.9")  | 410kg<br>(900lb)  |                           |                      |                     |
| 0.46m <sup>3</sup><br>(0.60yd <sup>3</sup> ) | 0.40m <sup>3</sup><br>(0.52yd <sup>3</sup> ) | 850mm<br>(33.5")    | 950mm<br>(37.4")  | 435kg<br>(960lb)  |                           |                      |                     |
| 0.52m <sup>3</sup><br>(0.68yd <sup>3</sup> ) | 0.45m <sup>3</sup><br>(0.59yd <sup>3</sup> ) | 935mm<br>(36.8")    | 1035mm<br>(40.8") | 460kg<br>(1010lb) |                           |                      |                     |
| 0.58m <sup>3</sup><br>(0.76yd <sup>3</sup> ) | 0.50m <sup>3</sup><br>(0.65yd <sup>3</sup> ) | 1030mm<br>(40.6")   | 1130mm<br>(44.5") | 480kg<br>(1060lb) |                           |                      |                     |
| 0.65m <sup>3</sup><br>(0.85yd <sup>3</sup> ) | 0.55m <sup>3</sup><br>(0.72yd <sup>3</sup> ) | 1110mm<br>(43.7")   | 1210mm<br>(47.6") | 500kg<br>(1100lb) |                           |                      |                     |
| 0.71m <sup>3</sup><br>(0.93yd <sup>3</sup> ) | 0.60m <sup>3</sup><br>(0.78yd <sup>3</sup> ) | 1205mm<br>(47.4")   | -                 | 540kg<br>(1190lb) |                           |                      |                     |

: Standard bucket

-  Applicable for materials with density of 2000kg/m<sup>3</sup> (3370lb/yd<sup>3</sup>) or less
-  Applicable for materials with density of 1600kg/m<sup>3</sup> (2700lb/yd<sup>3</sup>) or less
-  Applicable for materials with density of 1100kg/m<sup>3</sup> (1850lb/yd<sup>3</sup>) or less

## (2) Special bucket

|   |  |
|---|--|
| <p>Slope finishing bucket</p>  | <p>Ditch cleaning bucket</p>  |
| <p>≡ 0.55m<sup>3</sup> SAE<br/>heaped bucket</p>  | <p>0.45m<sup>3</sup> SAE<br/>heaped bucket</p>   |

| Capacity                                       |  | Width               |                  | Weight            | Recommendation             |                   |                  |
|--|--|---------------------|------------------|-------------------|----------------------------|-------------------|------------------|
|  |  |                     |                  |                   | 4.9m (16' 1") 2-piece boom |                   |                  |
| SAE heaped                                     | CECE heaped                                  | Without side cutter | With side cutter |                   | 1.9m arm (6' 3")           | 2.1m arm (6' 11") | 2.5m arm (8' 2") |
| 0.45m <sup>3</sup><br>(0.59yd <sup>3</sup> )   | 0.40m <sup>3</sup><br>(0.52yd <sup>3</sup> ) | 1520mm<br>(59.8")   | -                | 410kg<br>(900lb)  |                            |                   |                  |
| ≡ 0.55m <sup>3</sup><br>(0.72yd <sup>3</sup> ) | 0.45m <sup>3</sup><br>(0.59yd <sup>3</sup> ) | 1800mm<br>(70.9")   | -                | 585kg<br>(1290lb) |                            |                   |                  |

≡ : Slope finishing bucket  
 : Ditch cleaning bucket

- Applicable for materials with density of 2000kgf/m<sup>3</sup> (3370lbf/yd<sup>3</sup>) or less
- Applicable for materials with density of 1600kgf/m<sup>3</sup> (2700lbf/yd<sup>3</sup>) or less
- Applicable for materials with density of 1100kgf/m<sup>3</sup> (1850lbf/yd<sup>3</sup>) or less