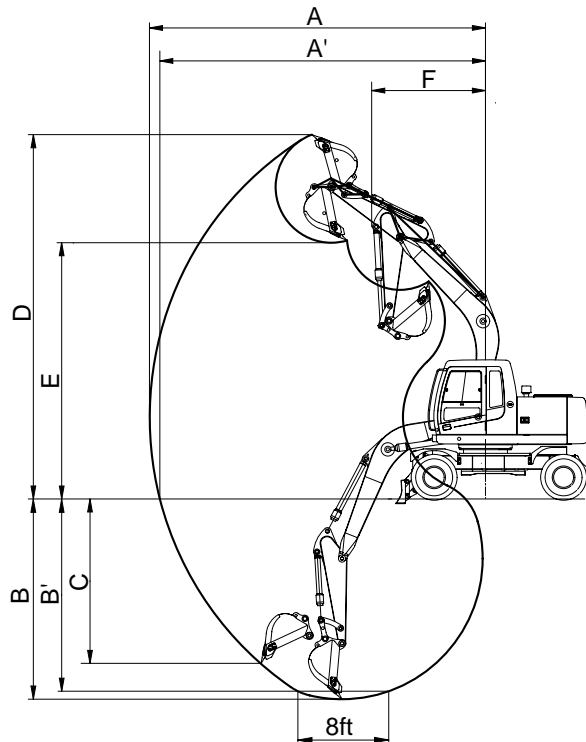


3. WORKING RANGE

4.6m(15' 1") BOOM

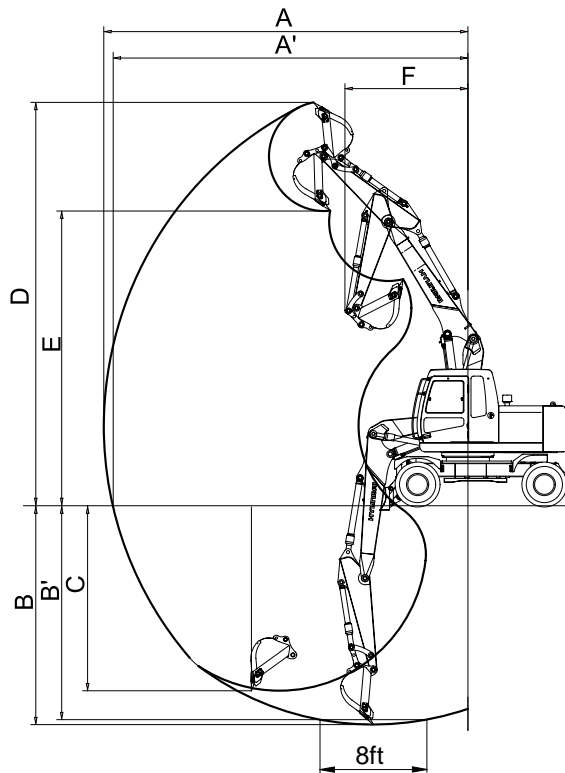


140W72SP03

Description		1.9m(6' 3") Arm	2.1m(6' 11") Arm	2.5m(8' 2") Arm	3.0m(9' 10") Arm
Max digging reach	A	7750mm (25' 5")	7920mm (26' 0")	8330mm (27' 4")	8790mm (28' 10")
Max digging reach on ground	A'	7530mm (24' 8")	7700mm (25' 3")	8120mm (26' 8")	8590mm (28' 2")
Max digging depth	B	4620mm (15' 2")	4820mm (15' 10")	5220mm (17' 2")	5720mm (18' 9")
Max digging depth (8ft level)	B'	4360mm (14' 4")	4570mm (15' 0")	5020mm (16' 6")	5540mm (18' 2")
Max vertical wall digging depth	C	4100mm (13' 5")	4230mm (13' 11")	4770mm (15' 8")	5300mm (17' 5")
Max digging height	D	8420mm (27' 7")	8490mm (27' 10")	8820mm (28' 11")	9090mm (29' 10")
Max dumping height	E	5980mm (19' 7")	6060mm (19' 11")	6380mm (20' 11")	6640mm (21' 9")
Min swing radius	F	2620mm (8' 7")	2680mm (8' 10")	2630mm (8' 8")	2670mm (8' 9")
Bucket digging force	SAE	83.4[91] kN	83.4[91] kN	83.4[91] kN	83.4[91] kN
		8500[9270] kgf	8500[9270] kgf	8500[9270] kgf	8500[9270] kgf
		18740[20440] lbf	18740[20440] lbf	18740[20440] lbf	18740[20440] lbf
	ISO	96.1[104.8] kN	96.1[104.8] kN	96.1[104.8] kN	96.1[104.8] kN
		9800[10690] kgf	9800[10690] kgf	9800[10690] kgf	9800[10690] kgf
		21610[23570] lbf	21610[23570] lbf	21610[23570] lbf	21610[23570] lbf
Arm digging force	SAE	74.5[81.3] kN	71.6[78.1] kN	61.8[67.4] kN	53.9[59.0] kN
		7600[8290] kgf	7300[7960] kgf	6300[6870] kgf	5500[6020] kgf
		16760[18280] lbf	16090[17550] lbf	13890[15150] lbf	12130[13270] lbf
	ISO	78.5[85.6] kN	75.5[82.4] kN	64.7[70.6] kN	56.9[62.1] kN
		8000[8730] kgf	7700[8400] kgf	6600[7200] kgf	5800[6330] kgf
		17640[19240] lbf	16980[18520] lbf	14550[15870] lbf	12790[13950] lbf

[] : Power boost

4.9m(16' 1") 2-PIECE BOOM



14W72SP03TWO

Description		1.9m(6' 3") Arm	2.1m(6' 11") Arm	2.5m(8' 2") Arm
Max digging reach	A	8130mm (26' 8")	8310mm (27' 3")	8720mm (28' 7")
Max digging reach on ground	A'	7920mm (26' 0")	8100mm (26' 7")	8510mm (27' 11")
Max digging depth	B	4790mm (15' 9")	4980mm (16' 4")	5390mm (17' 8")
Max digging depth (8ft level)	B'	4670mm (15' 4")	4870mm (16' 0")	5280mm (17' 4")
Max vertical wall digging depth	C	4030mm (13' 3")	4210mm (13' 10")	4650mm (15' 3")
Max digging height	D	9110mm (29' 11")	9220mm (30' 3")	9570mm (31' 5")
Max dumping height	E	6630mm (21' 9")	6740mm (22' 1")	7080mm (23' 3")
Min swing radius	F	2660mm (8' 9")	2810mm (9' 3")	2670mm (8' 9")
Bucket digging force	SAE	83.4[91]kN	83.4[91] kN	83.4[91] kN
		8500[9270]kgf	8500[9270] kgf	8500[9270] kgf
		18740[20440]lbf	18740[20440] lbf	18740[20440] lbf
	ISO	96.1[104.8]kN	96.1[104.8] kN	96.1[104.8] kN
		9800[10690]kgf	9800[10690] kgf	9800[10690] kgf
		21610[23570]lbf	21610[23570] lbf	21610[23570] lbf
Arm digging force	SAE	74.5[81.3]kN	71.6[78.1] kN	61.8[67.4] kN
		7600[8290]kgf	7300[7960] kgf	6300[6870] kgf
		16760[18280]lbf	16090[17550] lbf	13890[15150] lbf
	ISO	78.5[85.6]kN	75.5[82.4] kN	64.7[70.6] kN
		8000[8730]kgf	7700[8400] kgf	6600[7200] kgf
		17640[19240]lbf	16980[18520] lbf	14550[15870] lbf

[] : Power boost