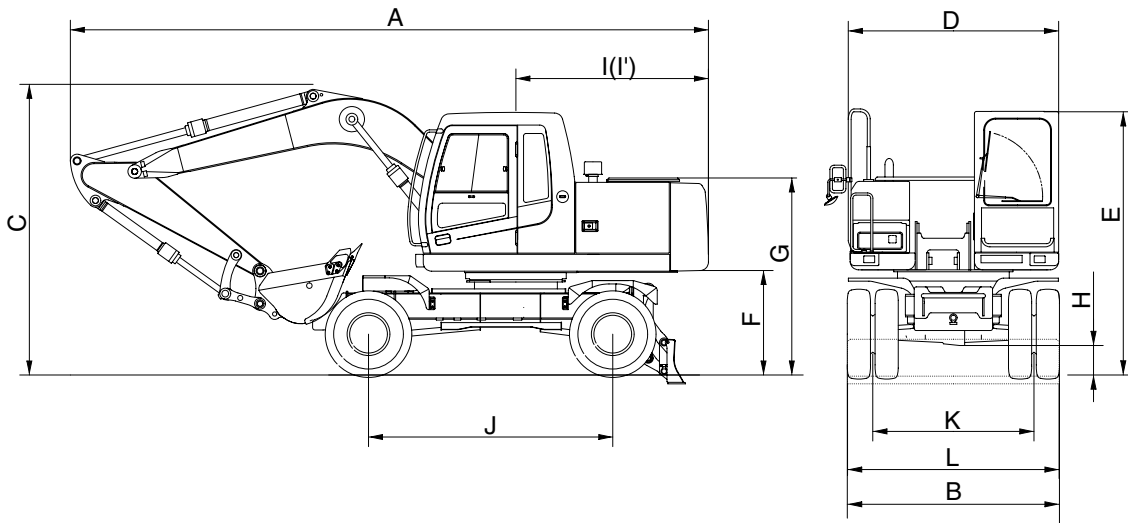


2. SPECIFICATIONS

4.6m(15' 1") ONE PIECE BOOM, 2.1m(6'11") ARM AND REAR DOZER BLADE



140W72SP02

Description		Unit	Specification
Operating weight		kg(lb)	13500(29760)
Bucket capacity(SAE heaped), standard		m ³ (yd ³)	0.58(0.76)
Overall length	A	mm(ft-in)	7800(25' 7")
Overall width	B		2500(8' 2")
Overall height	C		3500(11' 6")
Upperstructure width	D		2475(8' 1")
Cab height	E		3140(10' 4")
Ground clearance of counterweight	F		1240(4' 1")
Engine cover height	G		2340(7' 8")
Minimum ground clearance	H		435(1' 5")
Rear-end distance	I		2290(7' 6")
Rear-end swing radius	I'		2310(7' 7")
Wheel base	J		2600(8' 6")
Tread	K		1929(6' 4")
Dozer blade width	L		2490(8' 2")
Travel speed	Low		km/hr(mph)
	High	30.0(18.7)	
Swing speed		rpm	14.5
Gradeability		Degree(%)	33(65)