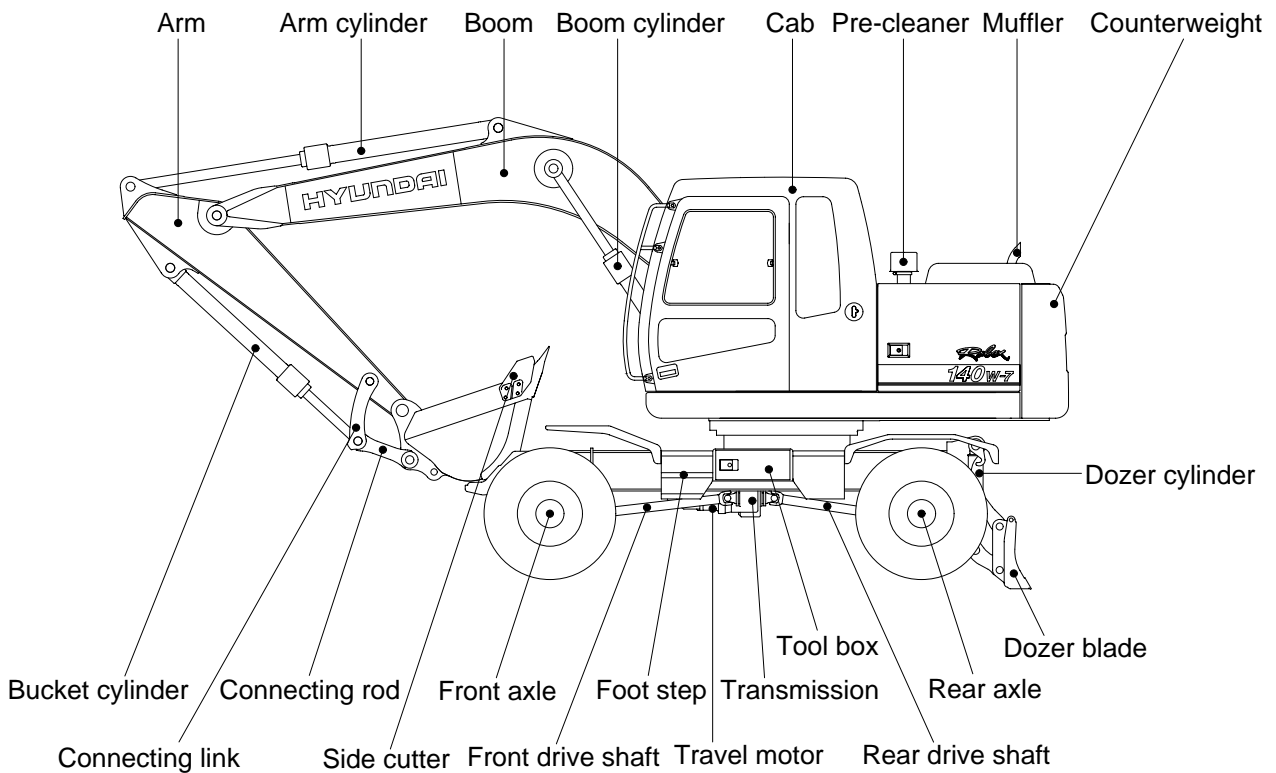
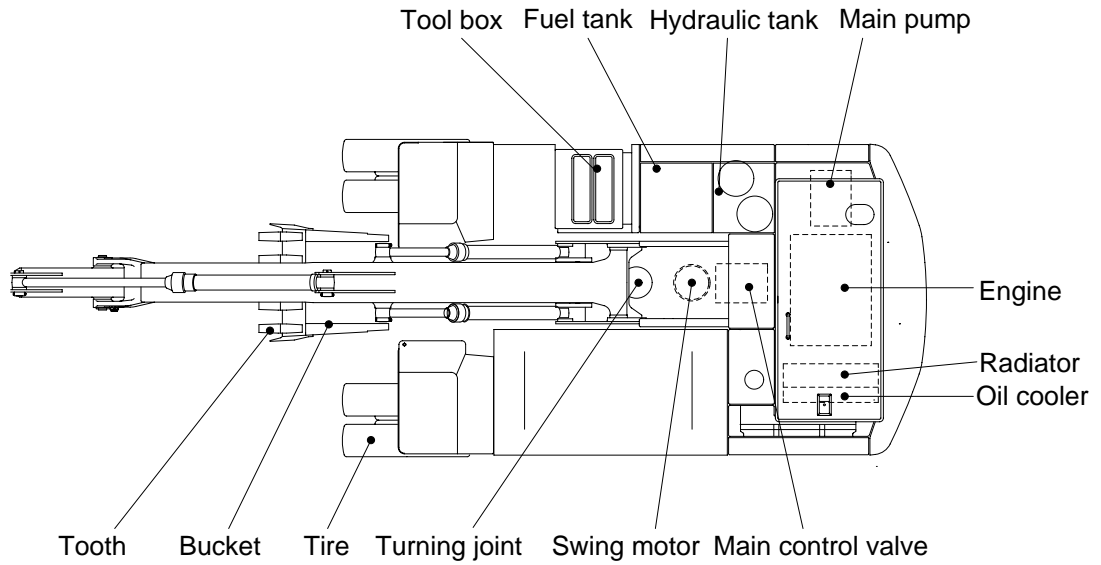


SPECIFICATIONS

1. MAJOR COMPONENTS



14W72SP01