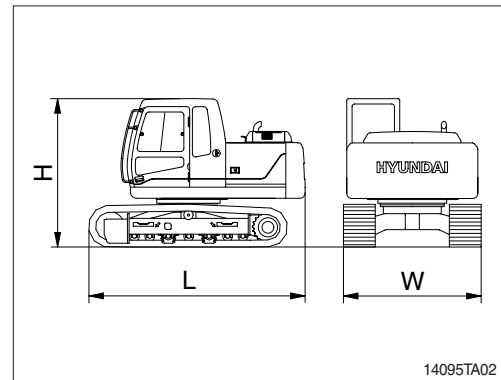


## 2. DIMENSION AND WEIGHT

### 1) BASE MACHINE (R140LC-9)

Mark	Description	Unit	Specification
L	Length	mm (ft-in)	4220 (13'10")
H	Height	mm (ft-in)	2860 ( 9' 5")
W	Width	mm (ft-in)	2600 ( 8' 6")
Wt	Weight	kg (lb)	11600 (25580)

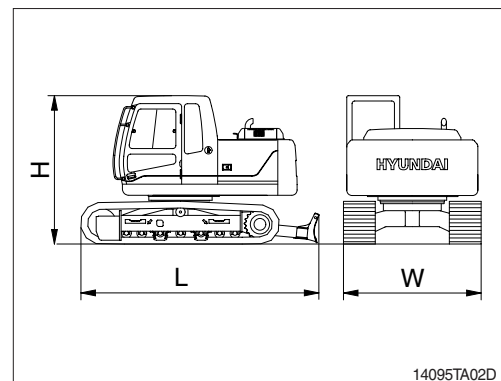
※ With 600 mm (24") triple grouser shoes and 2000 kg (4410 lb) counterweight.



### 2) BASE MACHINE (R140LCD-9)

Mark	Description	Unit	Specification
L	Length	mm (ft-in)	4530 (14'10")
H	Height	mm (ft-in)	2860 ( 9' 5")
W	Width	mm (ft-in)	2600 ( 8' 6")
Wt	Weight	kg (lb)	12260 (27030)

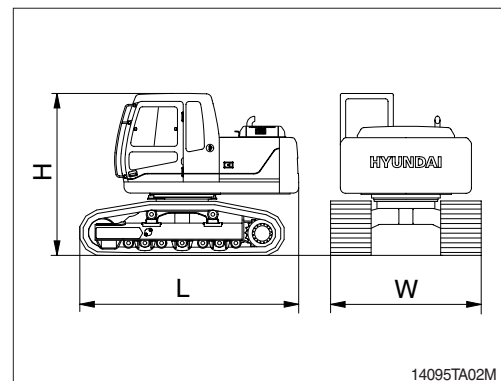
※ With 600 mm (24") triple grouser shoes and 2000 kg (4410 lb) counterweight.



### 3) BASE MACHINE (R140LCM-9)

Mark	Description	Unit	Specification
L	Length	mm (ft-in)	4240 (13' 9")
H	Height	mm (ft-in)	3120 (10' 3")
W	Width	mm (ft-in)	2840 ( 9' 4")
Wt	Weight	kg (lb)	13710 (30220)

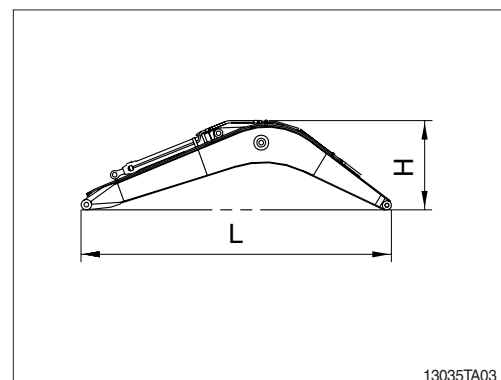
※ With 800 mm (32") triple grouser shoes and 2000 kg (4410 lb) counterweight.



### 4) BOOM ASSEMBLY

Mark	Description	Unit	Specification
L	Length	mm (ft-in)	4750 (15' 7")
H	Height	mm (ft-in)	1340 ( 4' 5")
W	Width	mm (ft-in)	520 ( 1' 8")
Wt	Weight	kg (lb)	1020 (2250)

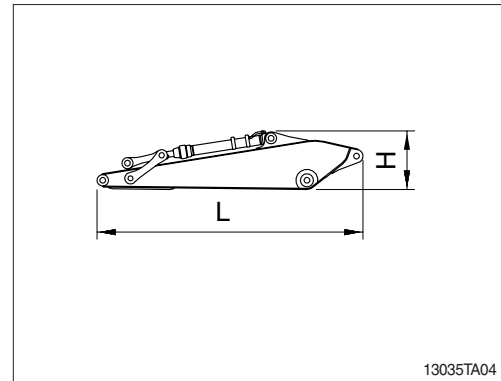
※ 4.6 m (15' 1") boom with arm cylinder (Included piping and pins).



### 5) ARM ASSEMBLY

Mark	Description	Unit	Specification
L	Length	mm (ft-in)	3240 (10' 8")
H	Height	mm (ft-in)	740 ( 2' 5")
W	Width	mm (ft-in)	380 ( 1' 3")
Wt	Weight	kg (lb)	620 (1370)

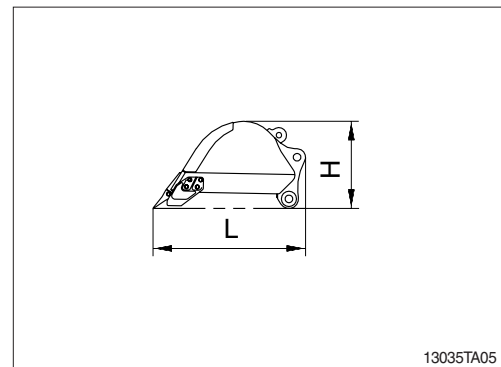
※ 2.50 m (8' 2") arm with bucket cylinder (Included linkage and pins).



### 6) BUCKET ASSEMBLY

Mark	Description	Unit	Specification
L	Length	mm (ft-in)	1400 ( 4' 7")
H	Height	mm (ft-in)	800 ( 2' 7")
W	Width	mm (ft-in)	1130 ( 3' 8")
Wt	Weight	kg (lb)	480 (1060)

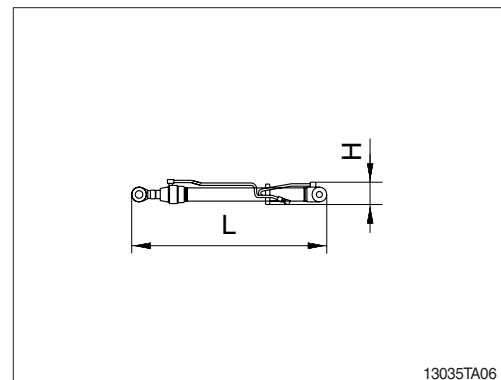
※ 0.58 m<sup>3</sup> (0.76 yd<sup>3</sup>) PCSA heaped bucket (Included tooth and side cutters).



### 7) BOOM CYLINDER

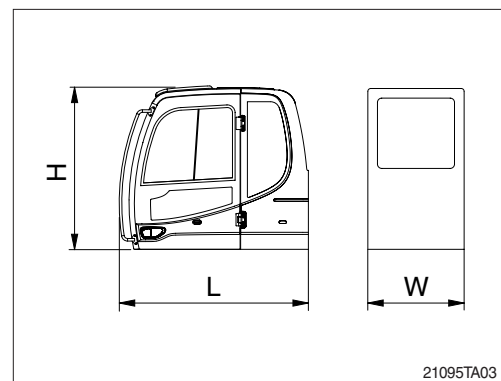
Mark	Description	Unit	Specification
L	Length	mm (ft-in)	1760 ( 5' 9")
H	Height	mm (ft-in)	210 ( 0' 8")
W	Width	mm (ft-in)	310 ( 1' 0")
Wt	Weight (2 EA)	kg (lb)	260 (570)

※ Included piping.



### 8) CAB ASSEMBLY

Mark	Description	Unit	Specification
L	Length	mm (ft-in)	2000 ( 6' 7")
H	Height	mm (ft-in)	1740 ( 5' 9")
W	Width	mm (ft-in)	1288 ( 4' 2")
Wt	Weight	kg (lb)	500 (1100)



### 9) COUNTERWEIGHT

Mark	Description	Unit	Specification
L	Length	mm (ft-in)	2475 ( 8' 1")
H	Height	mm (ft-in)	1050 ( 3' 5")
W	Width	mm (ft-in)	450 ( 1' 6")
Wt	Weight	kg (lb)	2000 (4410)

