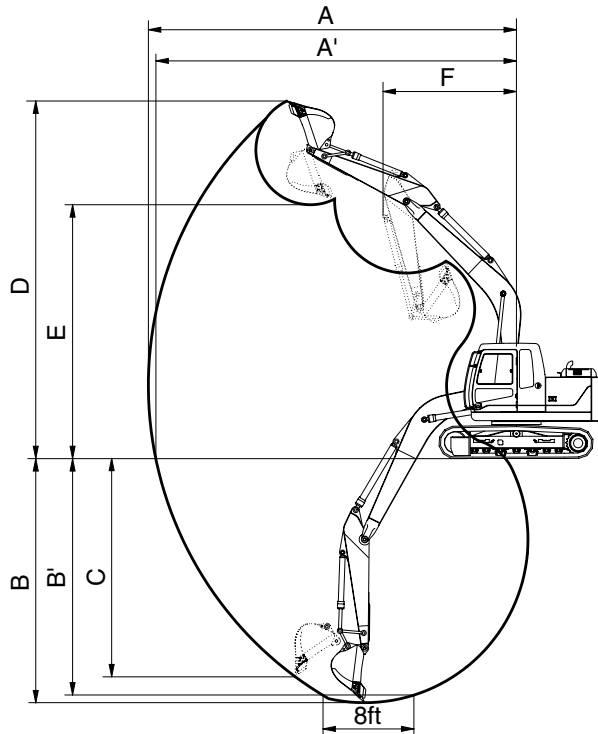


3. WORKING RANGE

1) R140LC/LCD-9

(1) 4.60 m (15' 1") MONO BOOM



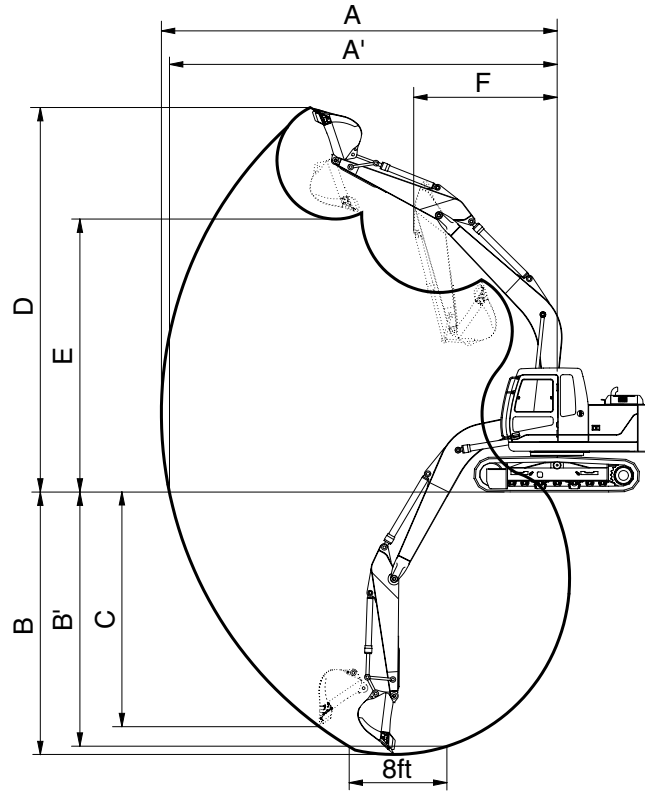
14092SP06

Description		1.90 m (6' 3") Arm	2.10 m (6' 11") Arm	※2.50 m (8' 2") Arm	3.00 m (9' 10") Arm
Max digging reach	A	7750 mm (25' 5")	7920 mm (25'11")	8330 mm (27' 4")	8790 mm (28'10")
Max digging reach on ground	A'	7600 mm (24'11")	7770 mm (25' 6")	8180 mm (26'10")	8650 mm (28' 4")
Max digging depth	B	4950 mm (16' 2")	5150 mm (16'10")	5550 mm (18' 3")	6050 mm (19'10")
Max digging depth (8ft level)	B'	4680 mm (15' 4")	4900 mm (16' 1")	5340 mm (17' 6")	5870 mm (19' 3")
Max vertical wall digging depth	C	4650 mm (15' 3")	4900 mm (16' 1")	5330 mm (17' 6")	5850 mm (19' 2")
Max digging height	D	8100 mm (26' 7")	8180 mm (26'10")	8500 mm (27'11")	8780 mm (28'10")
Max dumping height	E	5670 mm (18' 7")	5750 mm (18'10")	6060 mm (19'11")	6330 mm (20' 9")
Min swing radius	F	2630 mm (8' 8")	2670 mm (8' 9")	2650 mm (8' 8")	2680 mm (8'10")
Bucket digging force	SAE	87.3 [94.8] kN	87.3 [94.8] kN	87.3 [94.8] kN	87.3 [94.8] kN
		8900 [9660] kgf	8900 [9660] kgf	8900 [9660] kgf	8900 [9660] kgf
		19620 [21300] lbf	19620 [21300] lbf	19620 [21300] lbf	19620 [21300] lbf
	ISO	102 [110.8] kN	102 [110.8] kN	102 [110.8] kN	102 [110.8] kN
		10400 [11290] kgf	10400 [11290] kgf	10400 [11290] kgf	10400 [11290] kgf
		22930 [24890] lbf	22930 [24890] lbf	22930 [24890] lbf	22930 [24890] lbf
Arm crowd force	SAE	76.5 [83.1] kN	73.6 [79.9] kN	62.8 [68.2] kN	55.9 [60.7] kN
		7800 [8470] kgf	7500 [8140] kgf	6400 [6950] kgf	5700 [6190] kgf
		17200 [18670] lbf	16530 [17950] lbf	14110 [15320] lbf	12570 [13640] lbf
	ISO	80.4 [87.3] kN	77.5 [84.1] kN	65.7 [71.4] kN	57.9 [62.8] kN
		8200 [8900] kgf	7900 [8580] kgf	6700 [7270] kgf	5900 [6410] kgf
		18080 [19630] lbf	17420 [18910] lbf	14770 [16040] lbf	13010 [14120] lbf

※ : STD

[] : Power boost

(2) 4.10 m (13' 5") MONO BOOM

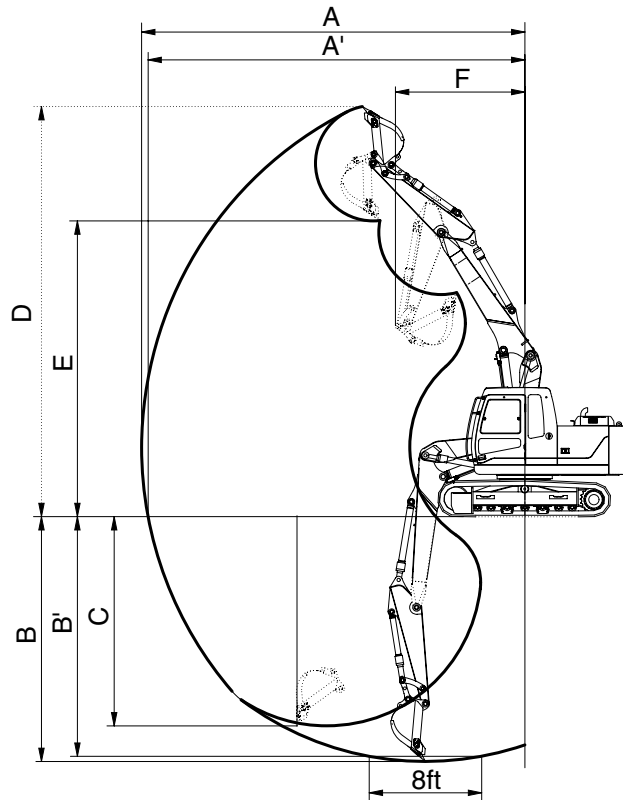


14092SP06

Description		1.90 m (6' 3") Arm	2.10 m (6' 11") Arm
Max digging reach	A	7260 mm (23'10")	7420 mm (24' 4")
Max digging reach on ground	A'	7090 mm (23' 3")	7260 mm (23'10")
Max digging depth	B	4540 mm (14'11")	4740 mm (15' 7")
Max digging depth (8ft level)	B'	4280 mm (14' 1")	4490 mm (14' 9")
Max vertical wall digging depth	C	4240 mm (13'11")	4350 mm (14' 3")
Max digging height	D	7700 mm (25' 3")	7770 mm (25' 6")
Max dumping height	E	5260 mm (17' 3")	5340 mm (17' 6")
Min swing radius	F	2350 mm (7' 9")	2460 mm (8' 1")
Bucket digging force	SAE	87.3 [94.8] kN	87.3 [94.8] kN
		8900 [9660] kgf	8900 [9660] kgf
		19620 [21300] lbf	19620 [21300] lbf
	ISO	102 [110.8] kN	102 [110.8] kN
		10400 [11290] kgf	10400 [11290] kgf
		22930 [24890] lbf	22930 [24890] lbf
Arm crowd force	SAE	76.5 [83.1] kN	73.6 [79.9] kN
		7800 [8470] kgf	7500 [8140] kgf
		17200 [18670] lbf	16530 [17950] lbf
	ISO	80.4 [87.3] kN	77.5 [84.1] kN
		8200 [8900] kgf	7900 [8580] kgf
		18080 [19630] lbf	17420 [18910] lbf

[] : Power boost

(3) 4.90 m (16' 1") ADJUST BOOM



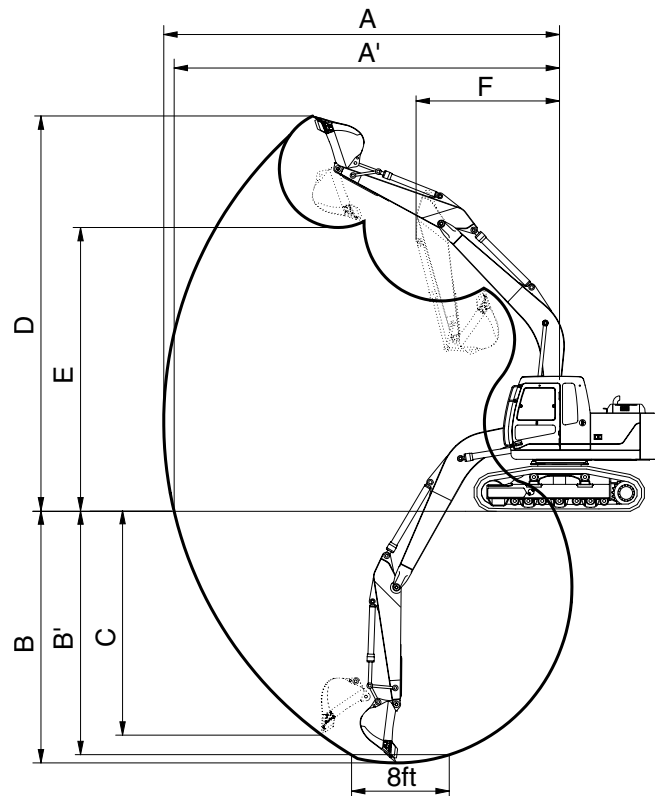
14092SP08

Description		1.90 m (6' 3") Arm	2.10 m (6' 11") Arm	2.50 m (8' 2") Arm
Max digging reach	A	8140mm (26' 8")	8320 mm (27' 4")	8720 mm (28' 7")
Max digging reach on ground	A'	8000mm (26' 3")	8180 mm (26'10")	8590 mm (28' 2")
Max digging depth	B	5110mm (16' 9")	5310 mm (17' 5")	5710 mm (18' 9")
Max digging depth (8ft level)	B'	5000mm (16' 5")	5190 mm (17' 0")	5610 mm (18' 5")
Max vertical wall digging depth	C	4490mm (14' 9")	4660 mm (15' 3")	5120 mm (16'10")
Max digging height	D	8810mm (28'11")	8890 mm (29' 2")	9270 mm (30' 5")
Max dumping height	E	6330mm (20' 9")	6410 mm (21' 0")	6780 mm (22' 3")
Min swing radius	F	2670mm (8' 9")	2830 mm (9' 3")	2690 mm (8'10")
Bucket digging force	SAE	87.3 [94.8] kN	87.3 [94.8] kN	87.3 [94.8] kN
		8900 [9660] kgf	8900 [9660] kgf	8900 [9660] kgf
		19620 [21300] lbf	19620 [21300] lbf	19620 [21300] lbf
	ISO	102 [110.8] kN	102 [110.8] kN	102 [110.8] kN
		10400 [11290] kgf	10400 [11290] kgf	10400 [11290] kgf
		22930 [24890] lbf	22930 [24890] lbf	22930 [24890] lbf
Arm crowd force	SAE	76.5 [83.1] kN	73.6 [79.9] kN	62.8 [68.2] kN
		7800 [8470] kgf	7500 [8140] kgf	6400 [6950] kgf
		17200 [18670] lbf	16530 [17950] lbf	14110 [15320] lbf
	ISO	80.4 [87.3] kN	77.5 [84.1] kN	65.7 [71.4] kN
		8200 [8900] kgf	7900 [8580] kgf	6700 [7270] kgf
		18080 [19630] lbf	17420 [18910] lbf	14770 [16040] lbf

[] : Power boost

2) R140LCM-9

(1) 4.6 m (15' 1") MONO BOOM



14092SP09

Description		1.90 m (6' 3") Arm	2.10 m (6' 11") Arm	※2.50 m (8' 2") Arm	3.00 m (9' 10") Arm
Max digging reach	A	7750 mm (25' 5")	7920 mm (26' 0")	8330 mm (27' 4")	8790 mm (28'10")
Max digging reach on ground	A'	7540 mm (24' 9")	7710 mm (25' 4")	8110 mm (26' 7")	8580 mm (28' 2")
Max digging depth	B	4690 mm (15' 5")	4890 mm (16' 1")	5290 mm (17' 4")	5790 mm (19' 0")
Max digging depth (8ft level)	B'	4420 mm (14' 6")	4640 mm (15' 3")	5080 mm (16' 8")	5610 mm (18' 5")
Max vertical wall digging depth	C	4390 mm (14' 5")	4640 mm (15' 3")	5070 mm (16' 8")	5590 mm (18' 4")
Max digging height	D	8360 mm (27' 5")	8440 mm (27' 8")	8760 mm (28' 9")	9040 mm (29' 7")
Max dumping height	E	5930 mm (19' 5")	6010 mm (19' 8")	6320 mm (20' 9")	6590 mm (21' 7")
Min swing radius	F	2630 mm (8' 8")	2670 mm (8' 9")	2650 mm (8' 8")	2680 mm (8'10")
Bucket digging force	SAE	87.3 [94.8] kN	87.3 [94.8] kN	87.3 [94.8] kN	87.3 [94.8] kN
		8900 [9660] kgf	8900 [9660] kgf	8900 [9660] kgf	8900 [9660] kgf
		19620 [21300] lbf	19620 [21300] lbf	19620 [21300] lbf	19620 [21300] lbf
	ISO	102 [110.8] kN	102 [110.8] kN	102 [110.8] kN	102 [110.8] kN
		10400 [11290] kgf	10400 [11290] kgf	10400 [11290] kgf	10400 [11290] kgf
		22930 [24890] lbf	22930 [24890] lbf	22930 [24890] lbf	22930 [24890] lbf
Arm crowd force	SAE	76.5 [83.1] kN	73.6 [79.9] kN	62.8 [68.2] kN	55.9 [60.7] kN
		7800 [8470] kgf	7500 [8140] kgf	6400 [6950] kgf	5700 [6190] kgf
		17200 [18670] lbf	16530 [17950] lbf	14110 [15320] lbf	12570 [13640] lbf
	ISO	80.4 [87.3] kN	77.5 [84.1] kN	65.7 [71.4] kN	57.9 [62.8] kN
		8200 [8900] kgf	7900 [8580] kgf	6700 [7270] kgf	5900 [6410] kgf
		18080 [19630] lbf	17420 [18910] lbf	14770 [16040] lbf	13010 [14120] lbf

※ : STD [] : Power boost