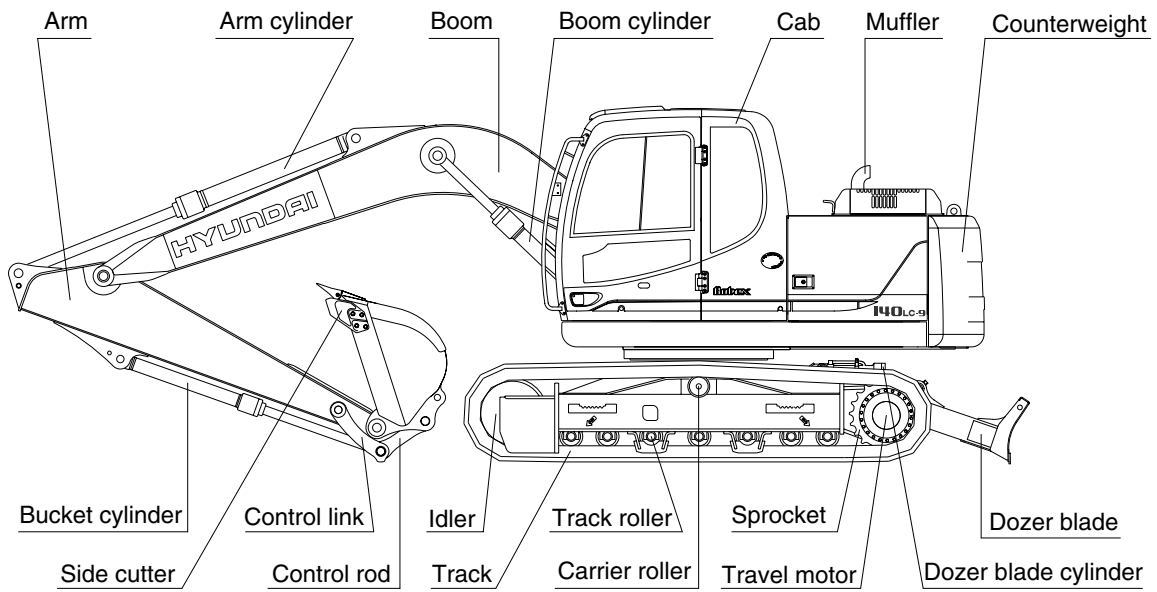
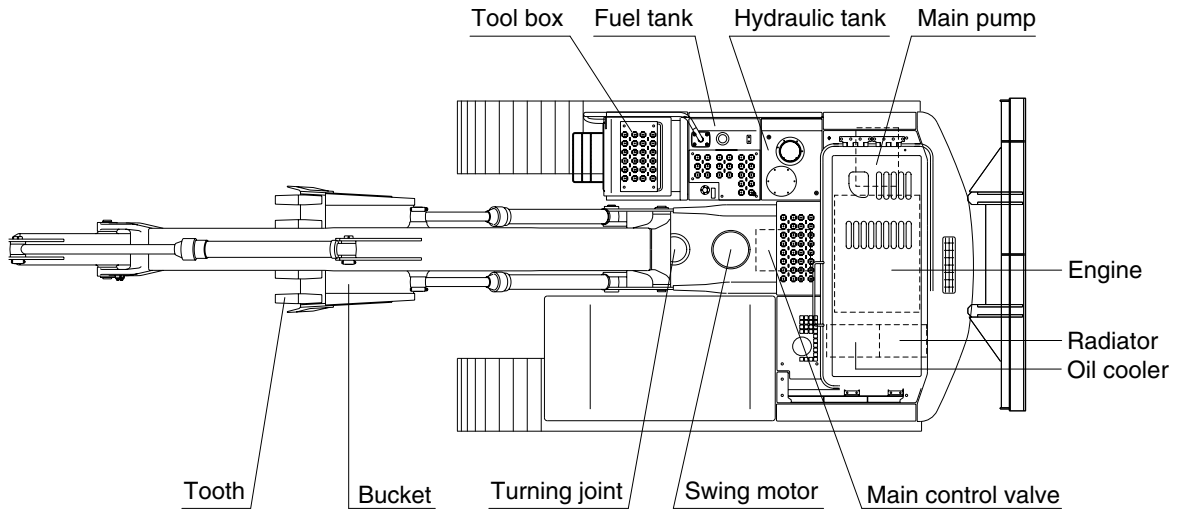


SPECIFICATIONS

1. MAJOR COMPONENT



14092SP01