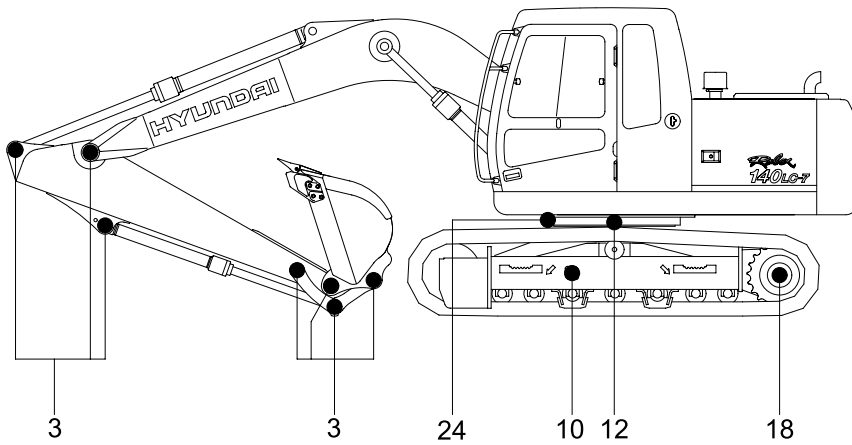
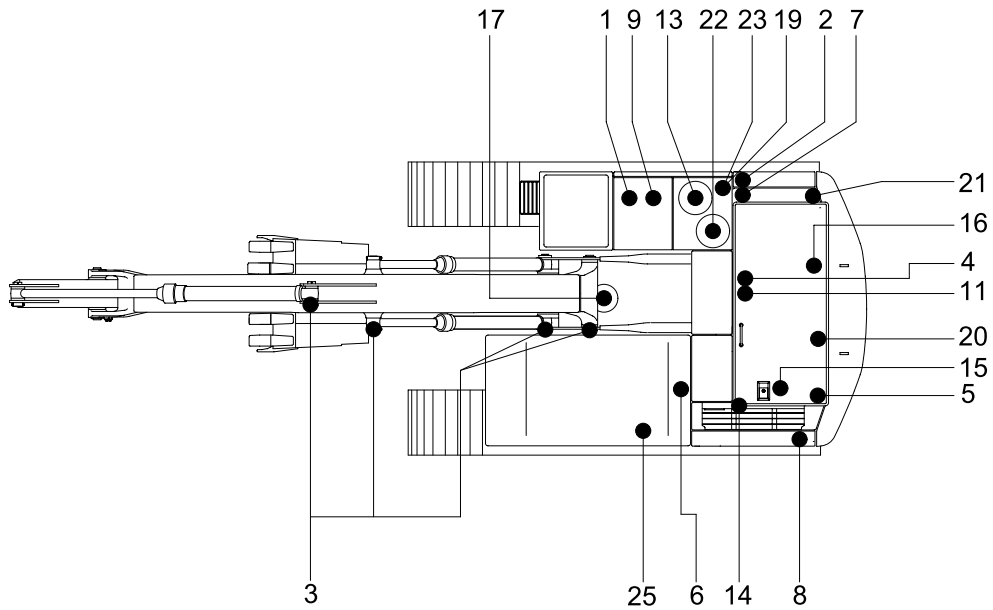


5. MAINTENANCE CHART



14076MI05

Caution

1. Service intervals are based on the hour meter reading.
2. The number of each item shows the lubrication point on the machine.
3. Stop engine while filling oil, and use no open flames.
4. For other details, refer to the service manual.

Service interval	No.	Description	Service action	Oil symbol	Capacity l (U.S.gal)	Service points No.
10 Hours or daily	1	Fuel tank	Check, Refill	DF	270(71.0)	1
	2	Hydraulic oil level	Check, Add	HO	124(32.8)	1
	4	Engine oil level	Check, Add	EO	9.5(2.5)	1
	5	Radiator coolant	Check, Add	C	21.8(5.8)	1
	6	Control panel & pilot lamp	Check, Clean	-	-	1
	7	Water separator	Check, Drain	-	-	2
50 Hours or weekly	3	Attachment pins	Check, Add	PGL	-	17
	9	Fuel tank strainer and drain	Check, Clean	-	-	1
	10	Track tension	Check, Adjust	PGL	-	2
	12	Swing bearing grease	Check, Add	PGL	-	3
	17	Swing drive grease	Check, Add	PGL	0.35(0.1)	1
250 Hours	4	Engine oil level(-#1000)	Change	EO	9.5(2.5)	1
	8	Battery(Electrolyte)	Check, Add	-	-	2
	11	Engine oil filter(-#1000)	Replace	-	-	1
	13	Hydraulic oil return filter	Replace	-	-	1
	21	Line filter element	Replace	-	-	1
	22	Drain filter cartridge	Replace	-	-	2
	23	Air breather element	Replace	-	-	1
500 Hours	4	Engine oil level(#1001-)	Change	EO	15.3(4.0)	1
	11	Engine oil filter(#1001-)	Replace	-	-	1
	14	Air cleaner element(Primary)	Clean	-	-	2
	15	Radiator and cooler fin	Check, Clean	-	-	1
	16	Fuel filter element	Replace	-	-	2
	18	Final drive gear case	Check, Add	GO	3.0(0.8)	2
1000 Hours	17	Swing drive gear oil	Change	GO	2.5(0.7)	1
	17	Swing drive grease	Check, Add	PGL	0.35(0.1)	1
	18	Final drive gear case	Change	GO	3.0(0.8)	2
	20	Fan belt tension and damage	Check, Adjust	-	-	1
	24	Swing gear and pinion	Change	PGL	4.4(1.2)	1
2000 Hours	2	Hydraulic oil level	Change	HO	124(32.8)	1
	5	Radiator coolant	Change	C	21.8(5.8)	1
	19	Hydraulic oil suction strainer	Check, Clean	-	-	1
As required	25	Air conditioner filters	Check, Clean	-	-	2

※ Oil symbol

Please refer to the recommended lubricants for specification.

DF : Diesel fuel

GO : Gear oil

HO : Hydraulic oil

C : Coolant

PGL : Grease

EO : Engine oil