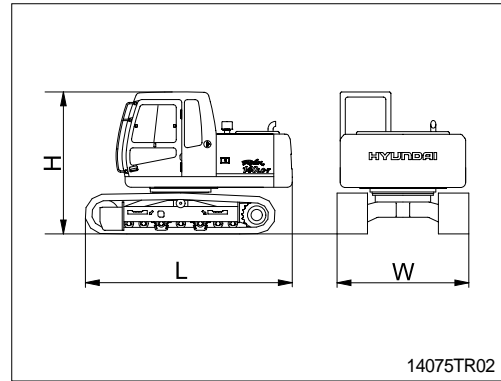


## 2. DIMENSION AND WEIGHT

### 1) BASE MACHINE(STD)

Mark	Description	Unit	Specification
L	Length	mm(ft-in)	4160(13' 8")
H	Height	mm(ft-in)	2820( 9' 3")
W	Width	mm(ft-in)	2600( 8' 6")
Wt	Weight	kg(lb)	11600(25580)

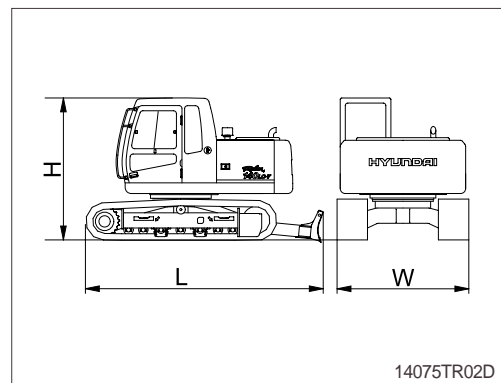
With 600mm(24") triple grouser shoes and 2200kg (4850lb) counterweight.



### 2) BASE MACHINE(Dozer blade)

Mark	Description	Unit	Specification
L	Length	mm(ft-in)	4570(14'12")
H	Height	mm(ft-in)	2820( 9' 3")
W	Width	mm(ft-in)	2600( 8' 6")
Wt	Weight	kg(lb)	12420(27390)

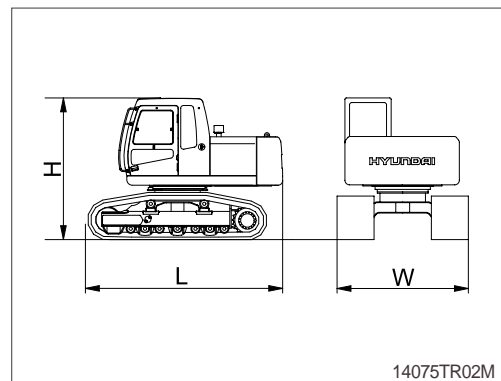
With 600mm(24") triple grouser shoes and 2200kg (4850lb) counterweight.



### 3) BASE MACHINE(R140LCM-7)

Mark	Description	Unit	Specification
L	Length	mm(ft-in)	4240(13' 9")
H	Height	mm(ft-in)	2820( 9' 3")
W	Width	mm(ft-in)	2910( 9' 7")
Wt	Weight	kg(lb)	14460(31880)

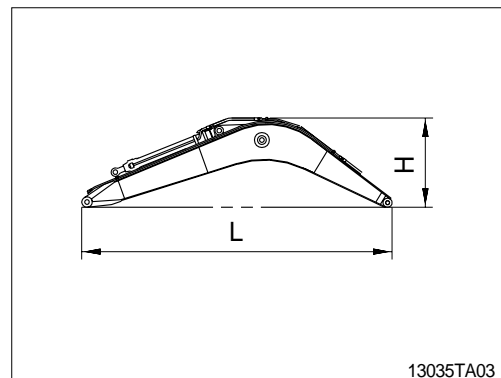
With 800mm(32") triple grouser shoes and 2200kg (4850lb) counterweight.



### 4) BOOM ASSEMBLY

Mark	Description	Unit	Specification
L	Length	mm(ft-in)	4760(15' 7")
H	Height	mm(ft-in)	1340( 4' 5")
W	Width	mm(ft-in)	520( 1' 8")
Wt	Weight	kg(lb)	1020(2250)

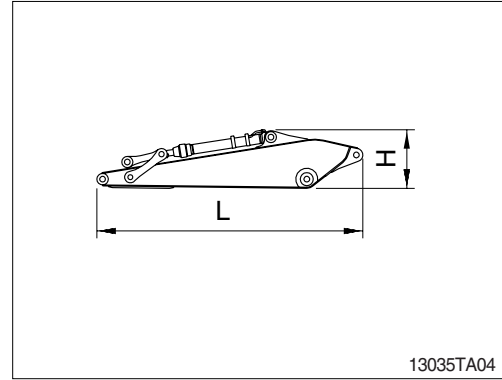
4.6m(15' 1") boom with arm cylinder(Included piping and pins).



### 5) ARM ASSEMBLY

Mark	Description	Unit	Specification
L	Length	mm(ft-in)	3260(10' 8")
H	Height	mm(ft-in)	740( 2' 5")
W	Width	mm(ft-in)	380( 1' 3")
Wt	Weight	kg(lb)	620(1370)

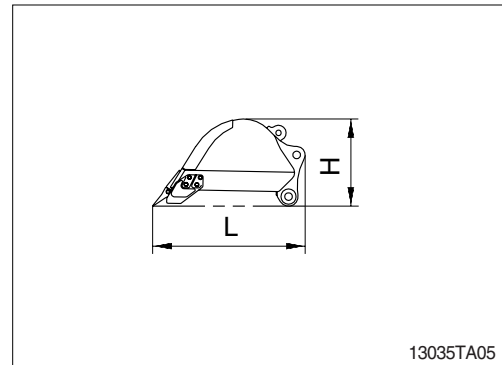
※ 2.50m(8' 2") arm with bucket cylinder(Included linkage and pins).



### 6) BUCKET ASSEMBLY

Mark	Description	Unit	Specification
L	Length	mm(ft-in)	1400( 4' 7")
H	Height	mm(ft-in)	800( 2' 7")
W	Width	mm(ft-in)	1130( 3' 8")
Wt	Weight	kg(lb)	480(1060)

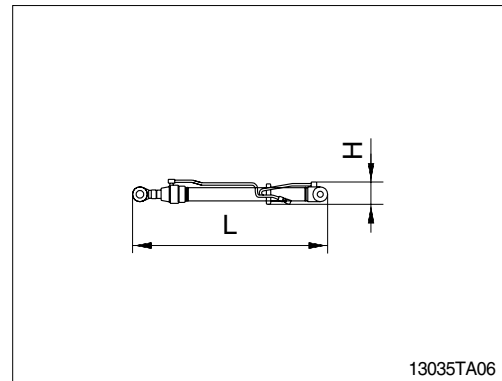
※ 0.58m<sup>3</sup>(0.76yd<sup>3</sup>) PCSA heaped bucket(Included tooth and side cutters).



### 7) BOOM CYLINDER

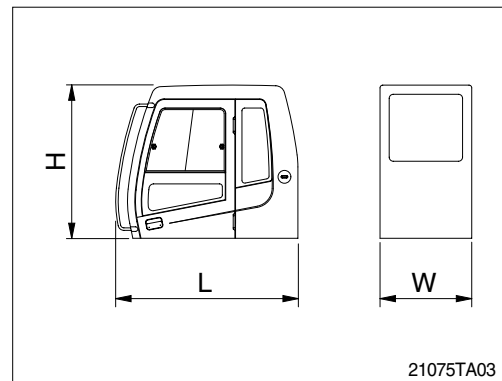
Mark	Description	Unit	Specification
L	Length	mm(ft-in)	1760( 5' 9")
H	Height	mm(ft-in)	210( 0' 8")
W	Width	mm(ft-in)	310( 1' 0")
Wt	Weight(2EA)	kg(lb)	260(570)

※ Included piping.



### 8) CAB ASSEMBLY

Mark	Description	Unit	Specification
L	Length	mm(ft-in)	1962( 6' 4")
H	Height	mm(ft-in)	1676( 5' 5")
W	Width	mm(ft-in)	1288( 4' 2")
Wt	Weight	kg(lb)	310(680)



### 9) COUNTERWEIGHT

Mark	Description	Unit	Specification
L	Length	mm(ft-in)	2475( 8' 1")
H	Height	mm(ft-in)	1050( 3' 5")
W	Width	mm(ft-in)	450( 1' 6")
Wt	Weight	kg(lb)	2200(4830)

