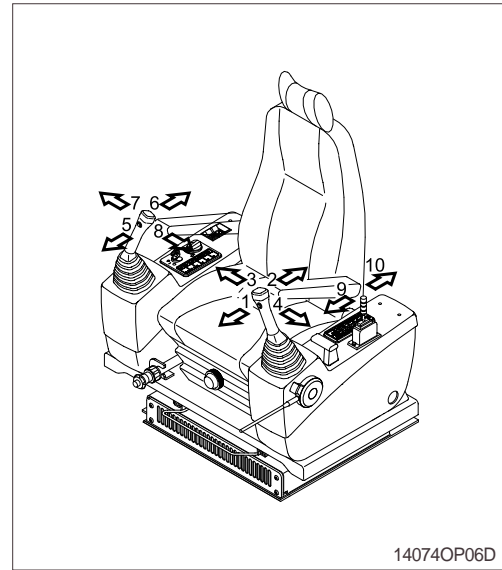


5. OPERATION OF WORKING DEVICE

Confirm the operation of control lever and working device.

- 1) Left control lever controls arm and swing.
- 2) Right control lever controls boom and bucket.
- 3) When you release the control lever, control lever returns to neutral position automatically.

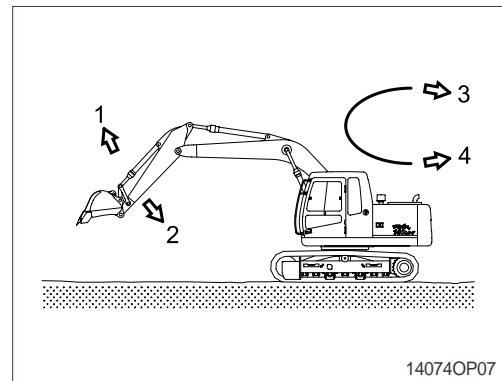
When operating swing, consider the swing distance by inertia.



14074OP06D

Left control lever

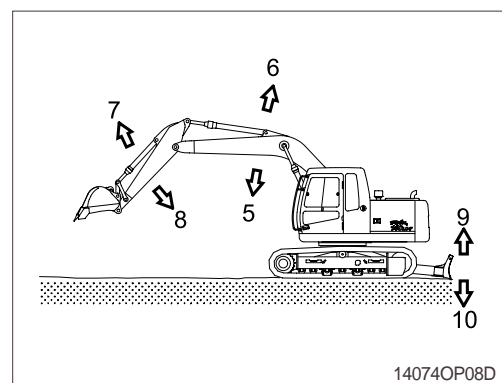
- 1 Arm roll-out
- 2 Arm roll-in
- 3 Swing right
- 4 Swing left



14074OP07

Right control lever

- 5 Boom lower
- 6 Boom raise
- 7 Bucket roll-out
- 8 Bucket roll-in



14074OP08D

Dozer control lever

- 9 Dozer blade up
- 10 Dozer blade down