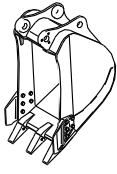
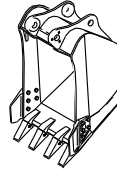
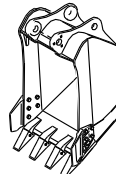
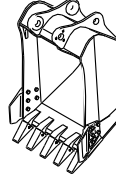
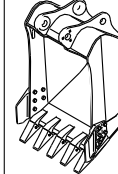
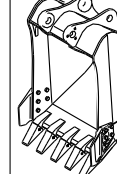
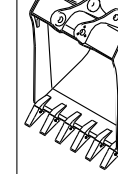


6. BUCKET SELECTION GUIDE


1) R140LC/LCD-7


(1) General bucket


						
0.23m ³ SAE heaped bucket	0.40m ³ SAE heaped bucket	0.46m ³ SAE heaped bucket	0.52m ³ SAE heaped bucket	※ 0.58m ³ SAE heaped bucket	0.65m ³ SAE heaped bucket	0.71m ³ SAE heaped bucket

Capacity		Width		Weight	Recommendation			
SAE heaped	CECE heaped	Without side cutter	With side cutter		4.6m(15' 1") boom			
					1.9m arm (6' 3")	2.1m arm (6' 11")	2.5m arm (8' 2")	3.0m arm (9' 10")
0.23m ³ (0.30yd ³)	0.2m ³ (0.26yd ³)	520mm (20.5")	620mm (24.4")	335kg (740lb)				
0.40m ³ (0.52yd ³)	0.35m ³ (0.46yd ³)	760mm (29.9")	860mm (33.9")	410kg (900lb)				
0.46m ³ (0.60yd ³)	0.4m ³ (0.52yd ³)	850mm (33.5")	950mm (37.4")	435kg (960lb)				
0.52m ³ (0.68yd ³)	0.45m ³ (0.59yd ³)	935mm (36.8")	1035mm (40.8")	460kg (1010lb)				
※ 0.58m ³ (0.76yd ³)	0.5m ³ (0.65yd ³)	1030mm (40.6")	1130mm (44.5")	480kg (1060lb)				
0.65m ³ (0.85yd ³)	0.55m ³ (0.72yd ³)	1110mm (43.7")	1210mm (47.6")	500kg (1100lb)				
0.71m ³ (0.93yd ³)	0.6m ³ (0.78yd ³)	1205mm (47.4")	-	540kg (1190lb)				

※ : Standard bucket

 Applicable for materials with density of 2000kg/m³ (3370lb/yd³) or less

 Applicable for materials with density of 1600kg/m³ (2700lb/yd³) or less

 Applicable for materials with density of 1100kg/m³ (1850lb/yd³) or less

(2) Special bucket

<p>Slope finishing bucket</p> 	<p>Ditch cleaning bucket</p> 
<p>0.55m³ SAE heaped bucket</p>	<p>★0.45m³ SAE heaped bucket</p>

Capacity		Width		Weight	Recommendation			
					4.6m (15' 1") boom			
SAE heaped	CECE heaped	Without side cutter	With side cutter		1.9m arm (6' 3")	2.1m arm (6' 11")	2.5m arm (8' 2")	3.0m arm (9' 10")
★0.45m ³ (0.59yd ³)	0.40m ³ (0.52yd ³)	1520mm (59.8")	-	410kg (900lb)				
0.55m ³ (0.72yd ³)	0.45m ³ (0.59yd ³)	1800mm (70.9")	-	585kg (1290lb)				

: Slope finishing bucket

★ : Ditch cleaning bucket

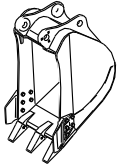
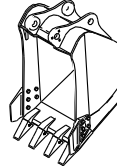
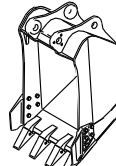
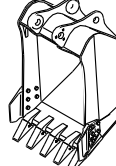
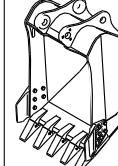
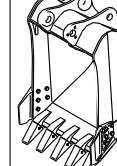
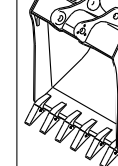
Applicable for materials with density of 2000kgf/m³ (3370lbf/yd³) or less

Applicable for materials with density of 1600kgf/m³ (2700lbf/yd³) or less

Applicable for materials with density of 1100kgf/m³ (1850lbf/yd³) or less




2) R140LC-7, 2-PIECE BOOM

(1) General bucket

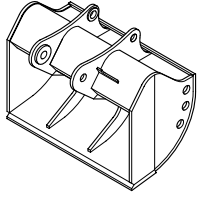
						
0.23m ³ SAE heaped bucket	0.40m ³ SAE heaped bucket	0.46m ³ SAE heaped bucket	0.52m ³ SAE heaped bucket	※0.58m ³ SAE heaped bucket	0.65m ³ AE heaped bucket	0.71m ³ SAE heaped bucket

Capacity		Width		Weight	Recommendation		
SAE heaped	CECE heaped	Without side cutter	With side cutter		4.9m(16' 1") 2-piece boom		
					1.9m arm (6' 3")	2.1m arm (6' 11")	2.5m arm (8' 2")
0.23m ³ (0.30yd ³)	0.2m ³ (0.26yd ³)	520mm (20.5")	620mm (24.4")	335kg (740lb)			
0.40m ³ (0.52yd ³)	0.35m ³ (0.46yd ³)	760mm (29.9")	860mm (33.9")	410kg (900lb)			
0.46m ³ (0.60yd ³)	0.4m ³ (0.52yd ³)	850mm (33.5")	950mm (37.4")	435kg (960lb)			
0.52m ³ (0.68yd ³)	0.45m ³ (0.59yd ³)	935mm (36.8")	1035mm (40.8")	460kg (1010lb)			
※0.58m ³ (0.76yd ³)	0.5m ³ (0.65yd ³)	1030mm (40.6")	1130mm (44.5")	480kg (1060lb)			
0.65m ³ (0.85yd ³)	0.55m ³ (0.72yd ³)	1110mm (43.7")	1210mm (47.6")	500kg (1100lb)			
0.71m ³ (0.93yd ³)	0.6m ³ (0.78yd ³)	1205mm (47.4")	-	540kg (1190lb)			

※ : Standard bucket

-  Applicable for materials with density of 2000kg/m³ (3370lb/yd³) or less
-  Applicable for materials with density of 1600kg/m³ (2700lb/yd³) or less
-  Applicable for materials with density of 1100kg/m³ (1850lb/yd³) or less

(2) Special bucket

<p>Slope finishing bucket</p> 	<p>Ditch cleaning bucket</p> 
<p>0.55m³ SAE heaped bucket</p>	<p>★0.45m³ SAE heaped bucket</p>

Capacity		Width		Weight	Recommendation		
SAE heaped	CECE heaped	Without side cutter	With side cutter		4.9m (16' 1") 2-piece boom		
					1.9m arm (6' 3")	2.1m arm (6' 11")	2.5m arm (8' 2")
★0.45m ³ (0.59yd ³)	0.40m ³ (0.52yd ³)	1520mm (59.8")	-	410kg (900lb)			
0.55m ³ (0.72yd ³)	0.45m ³ (0.59yd ³)	1800mm (70.9")	-	585kg (1290lb)			

: Slope finishing bucket

★ : Ditch cleaning bucket

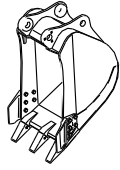
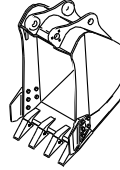
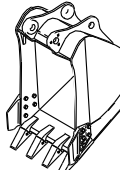
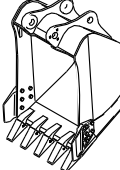
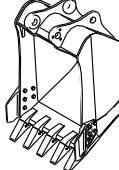
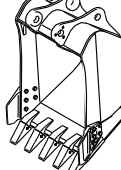
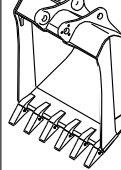
Applicable for materials with density of 2000kgf/m³ (3370lbf/yd³) or less

Applicable for materials with density of 1600kgf/m³ (2700lbf/yd³) or less

Applicable for materials with density of 1100kgf/m³ (1850lbf/yd³) or less


3) R140LCM-7


(1) General bucket


						
0.23m ³ SAE heaped bucket	0.40m ³ SAE heaped bucket	0.46m ³ SAE heaped bucket	0.52m ³ SAE heaped bucket	※0.58m ³ SAE heaped bucket	0.65m ³ SAE heaped bucket	0.71m ³ SAE heaped bucket

Capacity		Width		Weight	Recommendation 4.6m(15' 1") boom			
SAE heaped	CECE heaped	Without side cutter	With side cutter		1.9m arm (6' 3")	2.1m arm (6' 11")	2.5m arm (8' 2")	3.0m arm (9' 10")
0.23m ³ (0.30yd ³)	0.2m ³ (0.26yd ³)	520mm (20.5")	620mm (24.4")	335kg (740lb)				
0.40m ³ (0.52yd ³)	0.35m ³ (0.46yd ³)	760mm (29.9")	860mm (33.9")	410kg (900lb)				
0.46m ³ (0.60yd ³)	0.4m ³ (0.52yd ³)	850mm (33.5")	950mm (37.4")	435kg (960lb)				
0.52m ³ (0.68yd ³)	0.45m ³ (0.59yd ³)	935mm (36.8")	1035mm (40.8")	460kg (1010lb)				
※0.58m ³ (0.76yd ³)	0.5m ³ (0.65yd ³)	1030mm (40.6")	1130mm (44.5")	480kg (1060lb)				
0.65m ³ (0.85yd ³)	0.55m ³ (0.72yd ³)	1110mm (43.7")	1210mm (47.6")	500kg (1100lb)				
0.71m ³ (0.93yd ³)	0.6m ³ (0.78yd ³)	1205mm (47.4")	-	540kg (1190lb)				

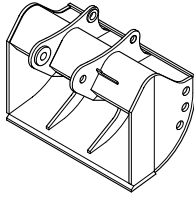
※ : Standard bucket

 Applicable for materials with density of 2000kg/m³ (3370lb/yd³) or less

 Applicable for materials with density of 1600kg/m³ (2700lb/yd³) or less

 Applicable for materials with density of 1100kg/m³ (1850lb/yd³) or less

(2) Special bucket

<p>Slope finishing bucket</p> 	<p>Ditch cleaning bucket</p> 
<p>0.55m³ SAE heaped bucket</p>	<p>★0.45m³ SAE heaped bucket</p>

Capacity		Width		Weight	Recommendation		
					4.9m (16' 1") 2piece boom		
SAE heaped	CECE heaped	Without side cutter	With side cutter		1.9m arm (6' 3")	2.1m arm (6' 11")	2.5m arm (8' 2")
★0.45m ³ (0.59yd ³)	0.40m ³ (0.52yd ³)	1520mm (59.8")	-	410kg (900lb)			
0.55m ³ (0.72yd ³)	0.45m ³ (0.59yd ³)	1800mm (70.9")	-	585kg (1290lb)			

: Slope finishing bucket

★ : Ditch cleaning bucket

Applicable for materials with density of 2000kgf/m³ (3370lbf/yd³) or less

Applicable for materials with density of 1600kgf/m³ (2700lbf/yd³) or less

Applicable for materials with density of 1100kgf/m³ (1850lbf/yd³) or less