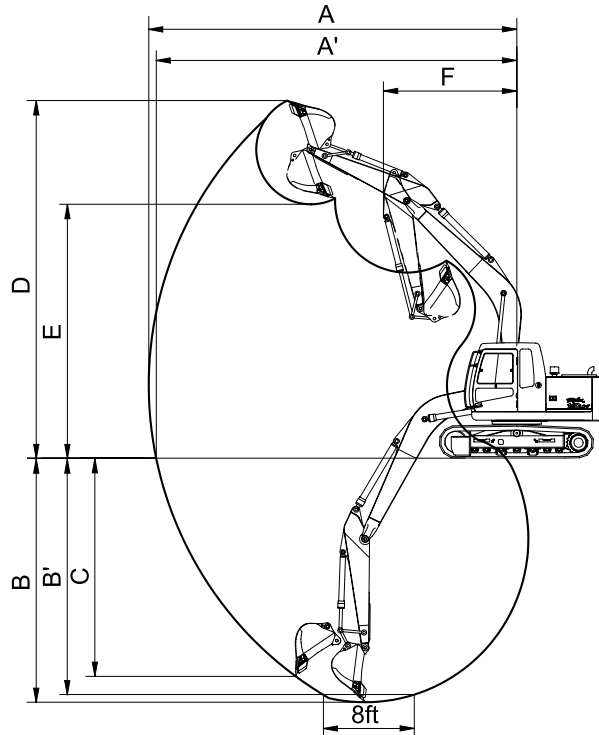


3. WORKING RANGE

1) R140LC/LCD-7

(1) 4.60m(15' 1") boom

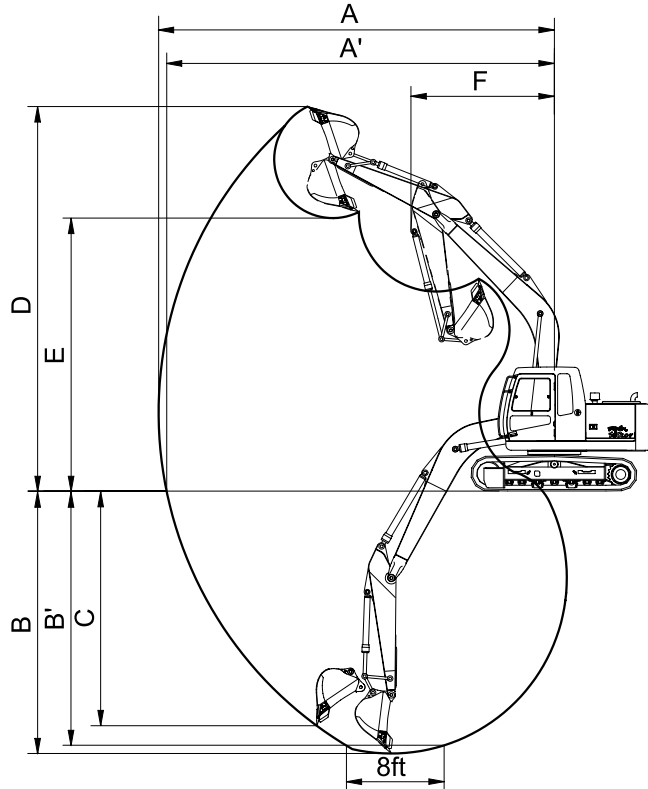


14072SP04

Description		1.90m(6' 3") Arm	2.10m(6' 11") Arm	2.50m(8' 2") Arm	3.00m(9' 10") Arm
Max digging reach	A	7750mm(25' 5")	7920mm(26' 0")	8340mm(27' 4")	8800mm(28'10")
Max digging reach on ground	A'	7600mm(24'11")	7780mm(25' 6")	8200mm(26'11")	8670mm(28' 5")
Max digging depth	B	5000mm(16' 5")	5200mm(17' 1")	5600mm(18' 4")	6100mm(20' 0")
Max digging depth (8ft level)	B'	4730mm(15' 6")	4950mm(16' 3")	5390mm(17' 8")	5910mm(19' 5")
Max vertical wall digging depth	C	4460mm(14' 8")	4590mm(15' 1")	5120mm(16'10")	5660mm(18' 7")
Max digging height	D	8060mm(26' 5")	8140mm(26' 8")	8520mm(27'11")	8730mm(28' 8")
Max dumping height	E	5630mm(18' 6")	5710mm(18' 9")	6080mm(19'11")	6280mm(20' 7")
Min swing radius	F	2620mm(8' 7")	2680mm(8'10")	2620mm(8' 7")	2660mm(8' 8")
Bucket digging force	SAE	83.4[91]kN	83.4[91]kN	83.4[91]kN	83.4[91]kN
		8500[9270]kgf	8500[9270]kgf	8500[9270]kgf	8500[9270]kgf
		18740[20440]lbf	18740[20440]lbf	18740[20440]lbf	18740[20440]lbf
	ISO	96.1[104.8]kN	96.1[104.8]kN	96.1[104.8]kN	96.1[104.8]kN
		9800[10690]kgf	9800[10690]kgf	9800[10690]kgf	9800[10690]kgf
		21610[23570]lbf	21610[23570]lbf	21610[23570]lbf	21610[23570]lbf
Arm crowd force	SAE	74.5[81.3]kN	71.6[78.1]kN	61.8[67.4]kN	53.9[59.0]kN
		7600[8290]kgf	7300[7960]kgf	6300[6870]kgf	5500[6020]kgf
		16760[18280]lbf	16090[17550]lbf	13890[15150]lbf	12130[13270]lbf
	ISO	78.5[85.6]kN	75.5[82.4]kN	64.7[70.6]kN	56.9[62.1]kN
		8000[8730]kgf	7700[8400]kgf	6600[7200]kgf	5800[6330]kgf
		17640[19240]lbf	16980[18520]lbf	14550[15870]lbf	12790[13950]lbf

[] : Power boost

(2) 4.10m(13' 5") boom

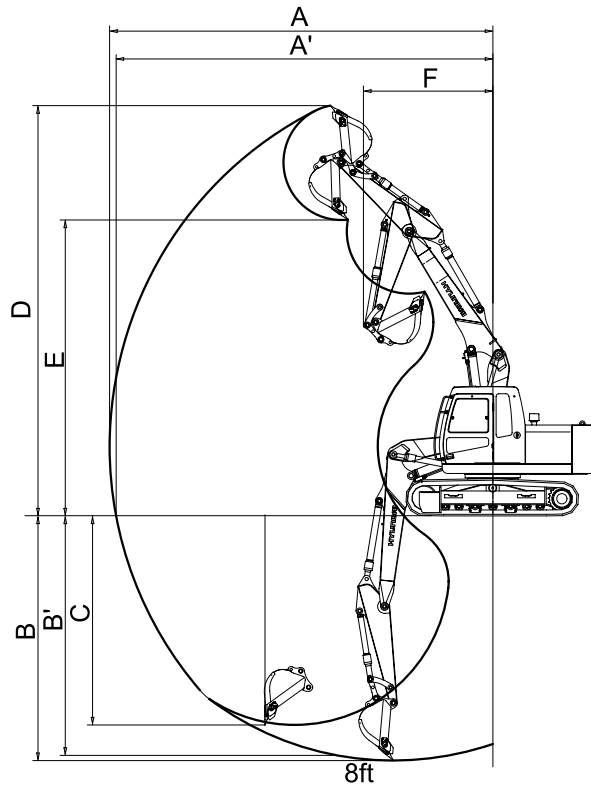


14072SP04

Description		1.90m(6' 3") Arm	2.10m(6' 11") Arm
Max digging reach	A	7250mm(23' 9")	7420mm(24' 4")
Max digging reach on ground	A'	7100mm(23' 4")	7270mm(23'10")
Max digging depth	B	4570mm(15' 0")	4770mm(15' 8")
Max digging depth (8ft level)	B'	4310mm(14' 2")	4520mm(14'10")
Max vertical wall digging depth	C	4090mm(14' 5")	4220mm(13'10")
Max digging height	D	7660mm(25' 2")	7730mm(25' 4")
Max dumping height	E	5220mm(17' 2")	5290mm(17' 4")
Min swing radius	F	2350mm(7' 9")	2470mm(8' 1")
Bucket digging force	SAE	83.4[91]kN	83.4[91]kN
		8500[9270]kgf	8500[9270]kgf
		18740[20440]lbf	18740[20440]lbf
	ISO	96.1[104.8]kN	96.1[104.8]kN
		9800[10690]kgf	9800[10690]kgf
		21610[23570]lbf	21610[23570]lbf
Arm crowd force	SAE	74.5[81.3]kN	71.6[78.1]kN
		7600[8290]kgf	7300[7960]kgf
		16760[18280]lbf	16090[17550]lbf
	ISO	78.5[85.6]kN	75.5[82.4]kN
		8000[8730]kgf	7700[8400]kgf
		17640[19240]lbf	16980[18520]lbf

[]: Power boost

(3) 4.90m(16' 1") 2-piece boom



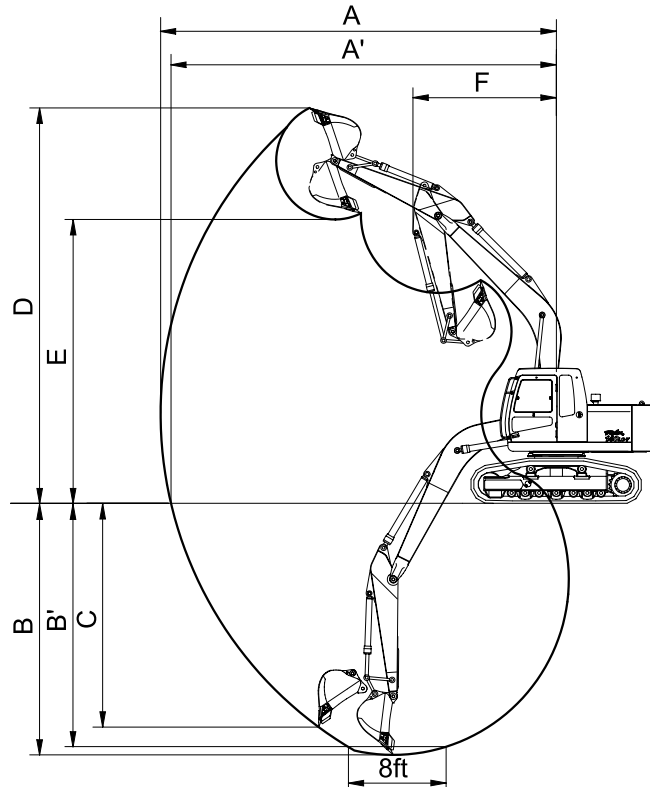
14072SP04A

Description		1.90m(6' 3") Arm	2.10m(6' 11") Arm	2.50m(8' 2") Arm
Max digging reach	A	8140mm(26' 8")	8310mm(27' 3")	8720mm(28' 7")
Max digging reach on ground	A'	8000mm(26' 3")	8180mm(26'10")	8590mm(28' 2")
Max digging depth	B	5140mm(16'10")	5340mm(17' 6")	5740mm(18'10")
Max digging depth (8ft level)	B'	5020mm(16' 6")	5220mm(17' 2")	5630mm(18' 6")
Max vertical wall digging depth	C	4380mm(14' 4")	4560mm(15' 0")	5000mm(16' 5")
Max digging height	D	8770mm(28' 9")	8870mm(29' 1")	9230mm(30' 3")
Max dumping height	E	6280mm(20' 7")	6390mm(21' 0")	6740mm(22' 1")
Min swing radius	F	2660mm(8' 9")	2800mm(9' 2")	2670mm(8' 9")
Bucket digging force	SAE	83.4[91]kN	83.4[91]kN	83.4[91]kN
		8500[9270]kgf	8500[9270]kgf	8500[9270]kgf
		18740[20440]lbf	18740[20440]lbf	18740[20440]lbf
	ISO	96.1[104.8]kN	96.1[104.8]kN	96.1[104.8]kN
		9800[10690]kgf	9800[10690]kgf	9800[10690]kgf
		21610[23570]lbf	21610[23570]lbf	21610[23570]lbf
Arm crowd force	SAE	74.5[81.3]kN	71.6[78.1]kN	61.8[67.4]kN
		7600[8290]kgf	7300[7960]kgf	6300[6870]kgf
		16760[18280]lbf	16090[17550]lbf	13890[15150]lbf
	ISO	78.5[85.6]kN	75.5[82.4]kN	64.7[70.6]kN
		8000[8730]kgf	7700[8400]kgf	6600[7200]kgf
		17640[19240]lbf	16980[18520]lbf	14550[15870]lbf

[] : Power boost

2) R140LCM-7

(1) 4.6m(15' 1") boom



14072SP04M

Description		1.90m(6' 3") Arm	2.10m(6' 11") Arm	2.50m(10' 6") Arm	3.00m(9' 10") Arm
Max digging reach	A	7750mm(25' 5")	7920mm(26' 0")	8340mm(27' 4")	8800mm(28'10")
Max digging reach on ground	A'	7540mm(24' 9")	7720mm(25' 4")	8130mm(26' 8")	8600mm(28' 3")
Max digging depth	B	4700mm(15' 5")	4900mm(16' 1")	5300mm(17' 5")	5800mm(19' 0")
Max digging depth (8ft level)	B'	4440mm(14' 7")	4650mm(15' 3")	5100mm(16' 9")	5620mm(18' 5")
Max vertical wall digging depth	C	4180mm(13' 9")	4310mm(14' 2")	4840mm(15'11")	5380mm(17' 8")
Max digging height	D	8340mm(27' 4")	8410mm(27' 7")	8740mm(28' 8")	9010mm(29' 7")
Max dumping height	E	5900mm(19' 4")	5980mm(19' 7")	6300mm(20' 8")	6560mm(21' 6")
Min swing radius	F	2620mm(8' 7")	2680mm(8'10")	2620mm(8' 7")	2660mm(8' 9")
Bucket digging force	SAE	83.4[91]kN	83.4[91]kN	83.4[91]kN	83.4[91]kN
		8500[9270]kgf	8500[9270]kgf	8500[9270]kgf	8500[9270]kgf
		18740[20440]lbf	18740[20440]lbf	18740[20440]lbf	18740[20440]lbf
	ISO	96.1[104.8]kN	96.1[104.8]kN	96.1[104.8]kN	96.1[104.8]kN
		9800[10690]kgf	9800[10690]kgf	9800[10690]kgf	9800[10690]kgf
		21610[23570]lbf	21610[23570]lbf	21610[23570]lbf	21610[23570]lbf
Arm crowd force	SAE	74.5[81.3]kN	71.6[78.1]kN	61.8[67.4]kN	53.9[59.0]kN
		7600[8290]kgf	7300[7960]kgf	6300[6870]kgf	5500[6020]kgf
		16760[18280]lbf	16090[17550]lbf	13890[15150]lbf	12130[13270]lbf
	ISO	78.5[85.6]kN	75.5[82.4]kN	64.7[70.6]kN	56.9[62.1]kN
		8000[8730]kgf	7700[8400]kgf	6600[7200]kgf	5800[6330]kgf
		17640[19240]lbf	16980[18520]lbf	14550[15870]lbf	12790[13950]lbf

[]: Power boost