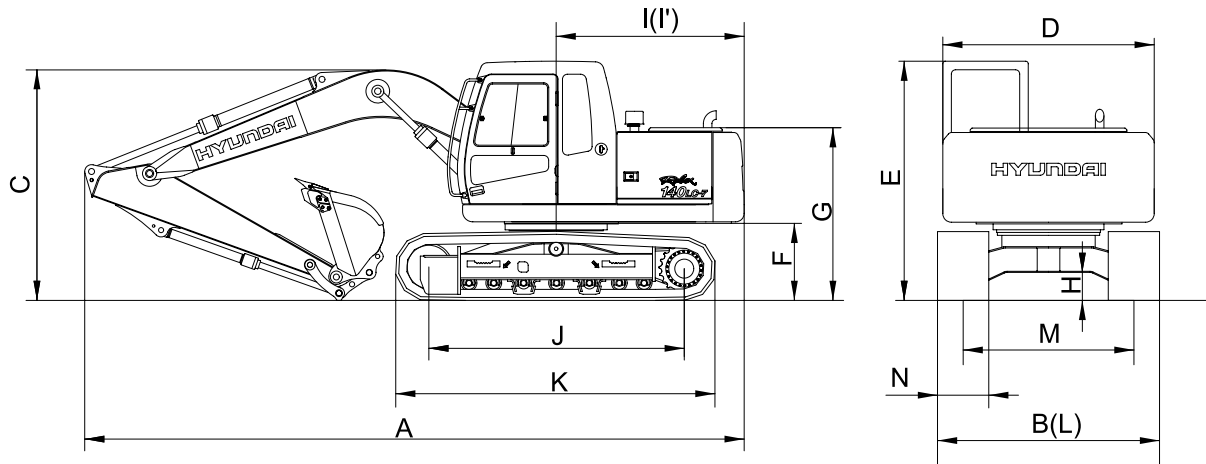


## 2. SPECIFICATIONS

### 1) R140LC-7

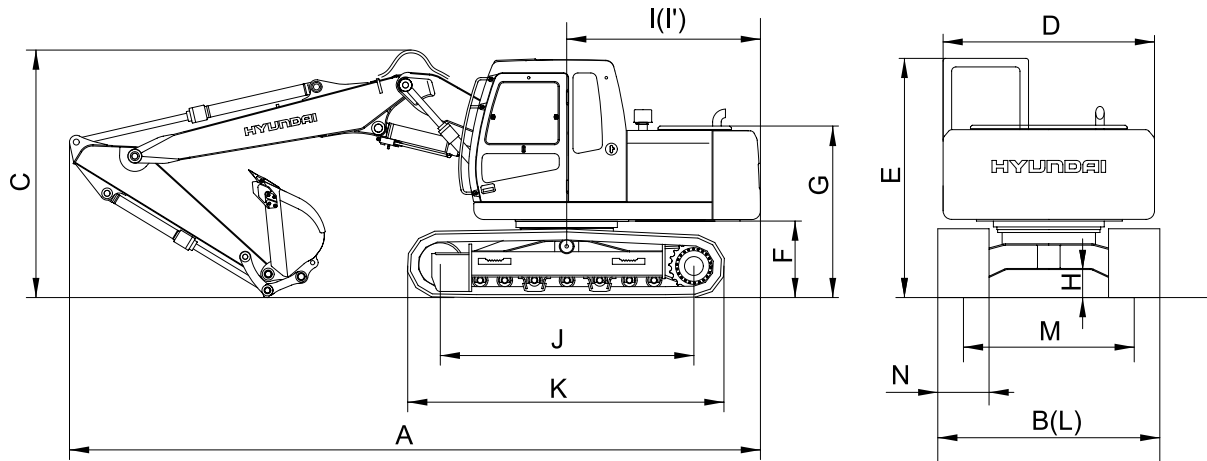


14072SP01

Description		Unit	Specification
Operating weight		kg(lb)	13980(30860)
Bucket capacity(PCSA heaped), standard		m <sup>3</sup> (yd <sup>3</sup> )	0.58(0.76)
Overall length	A	mm(ft-in)	7800(25' 7")
Overall width, with 600mm shoe	B		2600( 8' 6")
Overall height	C		2760( 9' 1")
Superstructure width	D		2500( 8' 2")
Overall height of cab	E		2820( 9' 3")
Ground clearance of counterweight	F		935( 3' 1")
Engine cover height	G		2037( 6' 8")
Minimum ground clearance	H		*2200( 7' 2")
Rear-end distance	I		440( 1' 5")
Rear-end swing radius	I'		2285( 7' 6")
Distance between tumblers	J		2310( 7' 7")
Undercarriage length	K		3000( 9'10")
Undercarriage width	L		3750(12' 4")
Track gauge	M		2600( 8' 6")
Track shoe width, standard	N		2000( 6' 7")
Travel speed(Low/high)			km/hr(mph)
Swing speed		rpm	3.3/5.5(2.1/3.4)
Gradeability		Degree(%)	13.6
Ground pressure(600mm shoe)		kgf/cm <sup>2</sup> (psi)	35(70)
			0.36(5.12)

\* : TIER II

## 2) R140LC-7, 2-PIECE BOOM

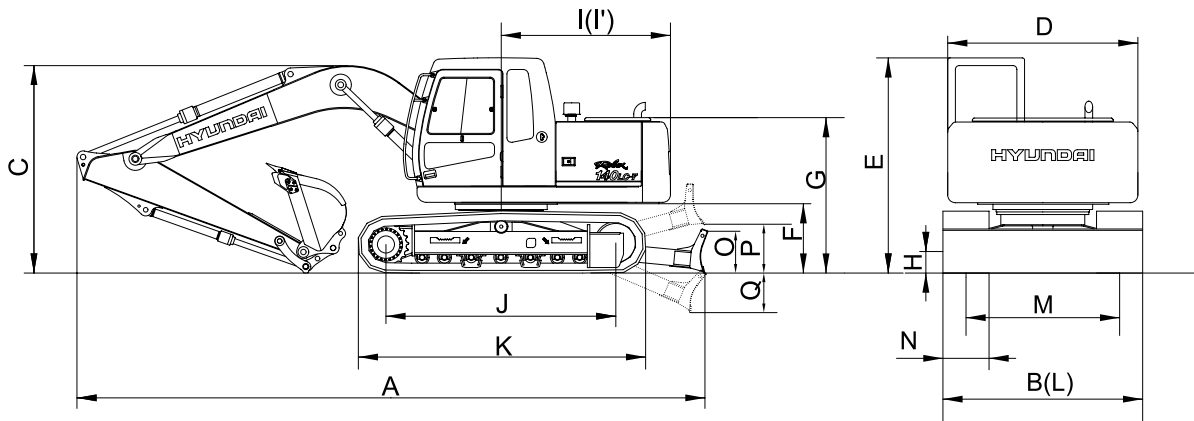


14072SP01A

Description		Unit	Specification
Operating weight		kg(lb)	13980(30860)
Bucket capacity(PCSA heaped), standard		m <sup>3</sup> (yd <sup>3</sup> )	0.58(0.76)
Overall length	A	mm(ft-in)	8120(26' 8")
Overall width, with 600mm shoe	B		2600( 8' 6")
Overall height	C		2940( 9' 8")
Superstructure width	D		2500( 8' 2")
Overall height of cab	E		2820( 9' 3")
Ground clearance of counterweight	F		935( 3' 1")
Engine cover height	G		2037( 6' 8") *2200( 7' 2")
Minimum ground clearance	H		440( 1' 5")
Rear-end distance	I		2285( 7' 6")
Rear-end swing radius	I'		2310( 7' 7")
Distance between tumbler	J		3000( 9'10")
Undercarriage length	K		3750(12' 4")
Undercarriage width	L		2600( 8' 6")
Track gauge	M		2000( 6' 7")
Track shoe width, standard	N		600(24")
Travel speed(Low/high)		km/hr(mph)	3.3/5.5(2.1/3.4)
Swing speed		rpm	13.6
Gradeability		Degree(%)	35(70)
Ground pressure(600mm shoe)		kgf/cm <sup>2</sup> (psi)	0.36(5.12)

\* : TIER II

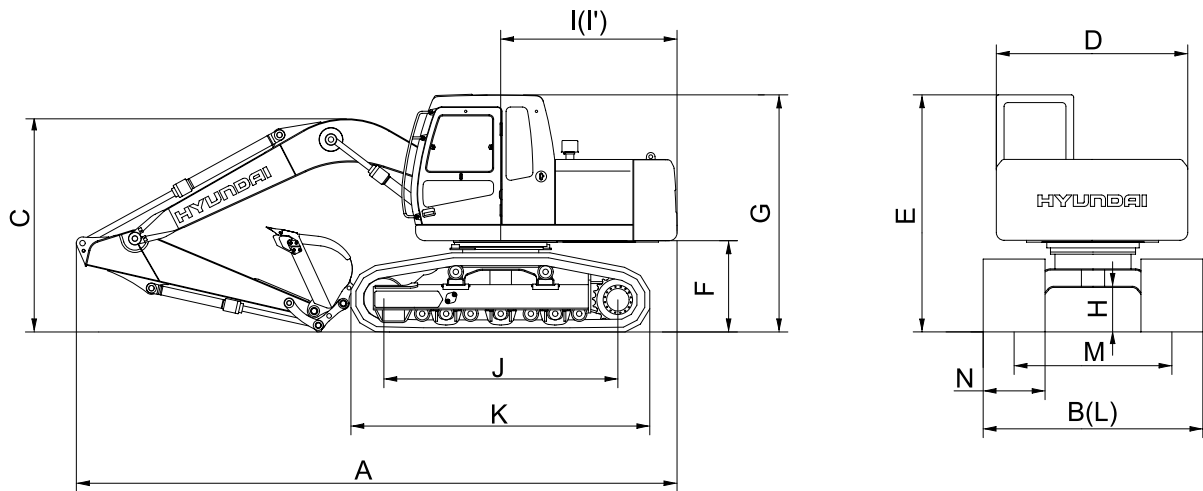
### 3) R140LCD-7



14072SP01D

Description		Unit	Specification
Operating weight		kg(lb)	14800(32630)
Bucket capacity(PCSA heaped), standard		m <sup>3</sup> (yd <sup>3</sup> )	0.58(0.76)
Overall length	A	mm(ft-in)	8210(26'11")
Overall width, with 600mm shoe	B		2600( 8' 6")
Overall height	C		2760( 9' 1")
Superstructure width	D		2500( 8' 2")
Overall height of cab	E		2820( 9' 3")
Ground clearance of counterweight	F		935( 3' 1")
Engine cover height	G		2037( 6' 8")
Minimum ground clearance	H		440( 1' 5")
Rear-end distance	I		2285( 7' 6")
Rear-end swing radius	I'		2310( 7' 7")
Distance between tumblers	J		3000( 9'10")
Undercarriage length	K		3750(12' 4")
Undercarriage width	L		2600( 8' 6")
Track gauge	M		2000( 6' 7")
Track shoe width, standard	N		600(24")
Height of blade	O		550( 1'10")
Ground clearance of blade up	P		625( 2' 1")
Depth of blade down	Q		515( 1' 8")
Travel speed(Low/high)			km/hr(mph)
Swing speed		rpm	13.6
Gradeability		Degree(%)	35(70)
Ground pressure(600mm shoe)		kgf/cm <sup>2</sup> (psi)	0.38(5.40)

#### 4) R140LCM-7



14072SP01M

Description		Unit	Specification
Operating weight		kg(lb)	16880(37210)
Bucket capacity(PCSA heaped), standard		m <sup>3</sup> (yd <sup>3</sup> )	0.58(0.76)
Overall length	A	mm(ft-in)	7770(25' 6")
Overall width, with 800mm shoe	B		2910( 9' 7")
Overall height	C		2810( 9' 3")
Superstructure width	D		2500( 8' 2")
Overall height of cab	E		3080(10' 1")
Ground clearance of counterweight	F		1195( 3'11")
Engine cover height	G		2300( 7' 6")
Minimum ground clearance	H		*2460( 8' 1")
Rear-end distance	I		600( 2' 0")
Rear-end swing radius	I'		2310( 7' 7")
Distance between tumblers	J		2280( 7' 6")
Undercarriage length	K		3030( 9' 6")
Undercarriage width	L		3860(12' 8")
Track gauge	M		2910( 9' 7")
Track shoe width, standard	N		2040( 6' 8")
Travel speed(Low/high)			km/hr(mph)
Swing speed		rpm	2.5/4.1(1.5/2.5)
Gradeability		Degree(%)	13.6
Ground pressure(800mm shoe)		kgf/cm <sup>2</sup> (psi)	35(70)
			0.32(4.55)

\* : TIER II