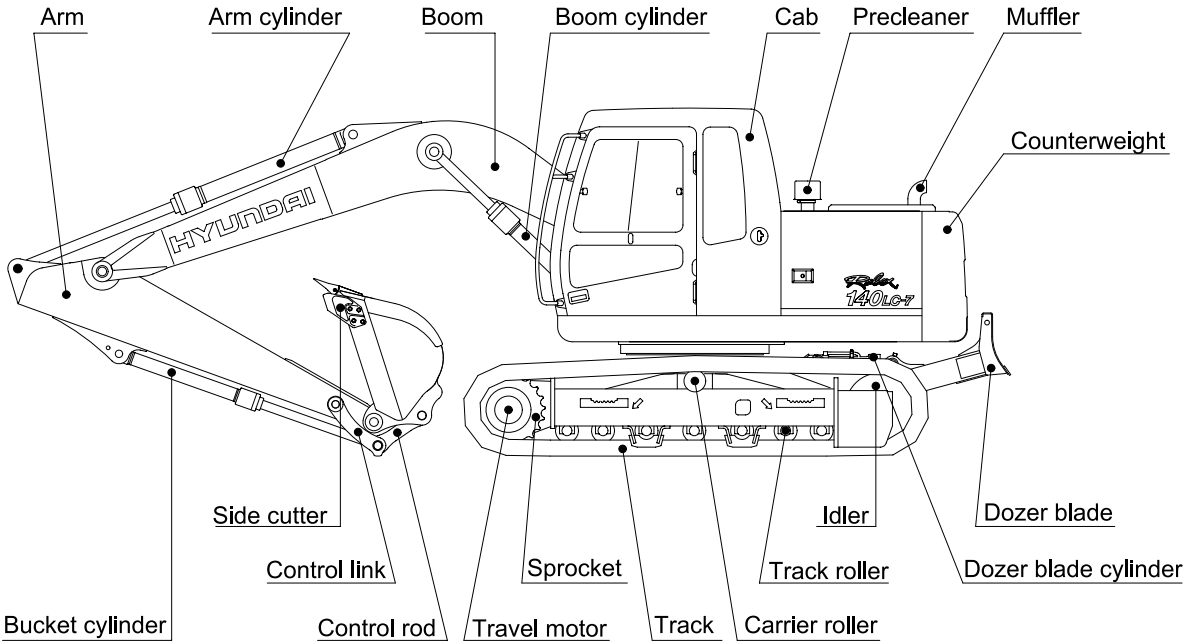
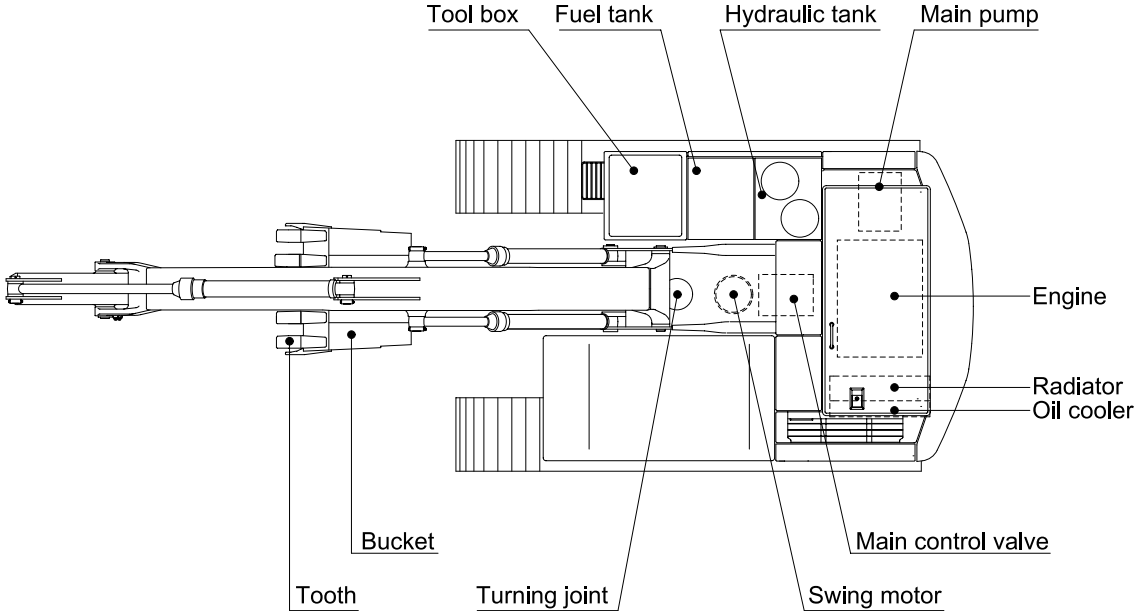


SPECIFICATIONS

1. MAJOR COMPONENT



14072SP00D