

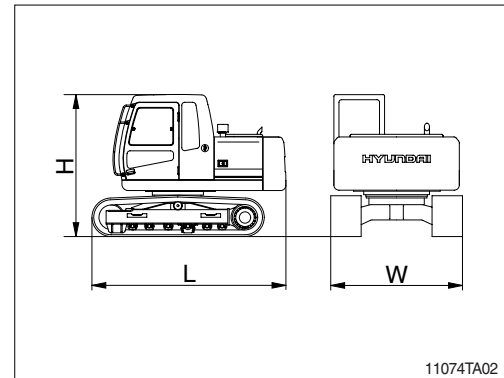
## 2. DIMENSION AND WEIGHT

### 1) ROBEX 110-7A

#### (1) Base machine

Mark	Description	Unit	Specification
L	Length	mm(ft-in)	3800(12' 6")
H	Height	mm(ft-in)	2800( 9' 2")
Wd	Width	mm(ft-in)	2490( 8' 2")
Wt	Weight	kg(lb)	9280(20460)

※ With 500mm(20") triple grouser shoes and 1450kg(3200lb) counterweight.

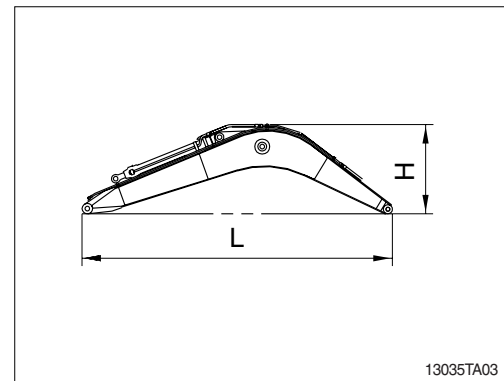


11074TA02

#### (2) Boom assembly

Mark	Description	Unit	Specification
L	Length	mm(ft-in)	1340( 4' 5")
H	Height	mm(ft-in)	4450(14' 7")
W	Width	mm(ft-in)	520( 1' 8")
Wt	Weight	kg(lb)	950(2090)

※ 4.3m(14' 1") boom with arm cylinder(Included piping and pins).

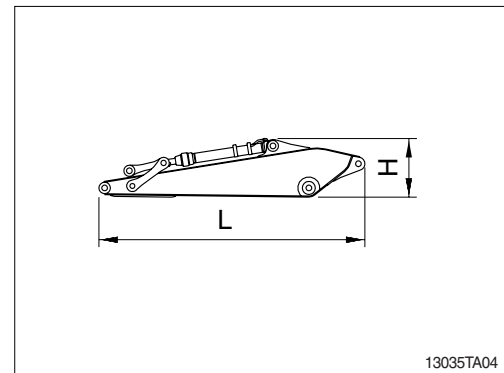


13035TA03

#### (3) Arm assembly

OMark	Description	Unit	Specification
L	Length	mm(ft-in)	2970( 9' 9")
H	Height	mm(ft-in)	680( 2' 3")
W	Width	mm(ft-in)	380( 1' 3")
Wt	Weight	kg(lb)	530(1170)

※ 2.26m(7' 5") arm with bucket cylinder(Included linkage and pins).

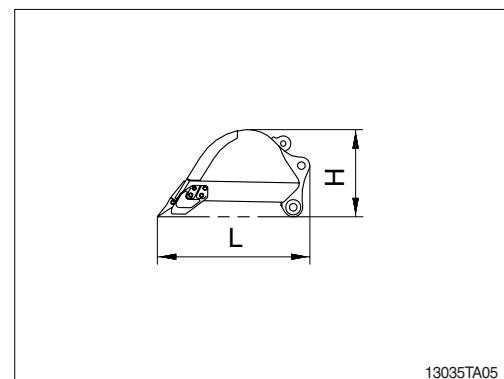


13035TA04

#### (4) Bucket assembly

Mark	Description	Unit	Specification
L	Length	mm(ft-in)	1350( 4' 5")
H	Height	mm(ft-in)	920( 3' 0")
W	Width	mm(ft-in)	940( 3' 1")
Wt	Weight	kg(lb)	440(970)

※ 0.45m<sup>3</sup>(0.52yd<sup>3</sup>) SAE heaped bucket(Included tooth and side cutters).

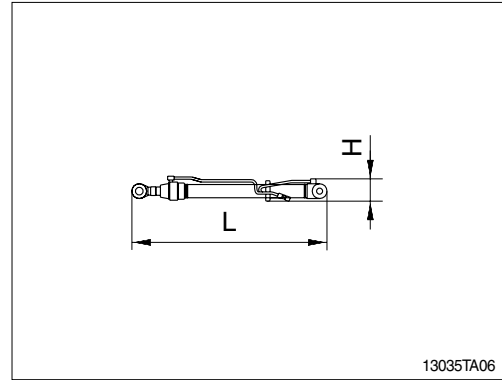


13035TA05

**(5) Boom cylinder**

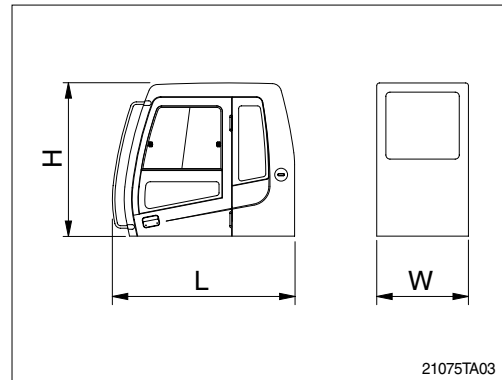
Mark	Description	Unit	Specification
L	Length	mm(ft-in)	1650( 5' 5")
H	Height	mm(ft-in)	216( 0' 9")
W	Width	mm(ft-in)	310( 1' 0")
Wt	Weight(2EA)	kg(lb)	230(510)

※ Included piping.



**(6) Cab assembly**

Mark	Description	Unit	Specification
L	Length	mm(ft-in)	1962( 6' 5")
H	Height	mm(ft-in)	1676( 5' 6")
W	Width	mm(ft-in)	1288( 4' 3")
Wt	Weight	kg(lb)	310(680)



**(7) Counterweight**

Mark	Description	Unit	Specification
L	Length	mm(ft-in)	2460( 8' 1")
H	Height	mm(ft-in)	1050( 3' 5")
W	Width	mm(ft-in)	445(1' 6")
Wt	Weight	kg(lb)	1450(3200)

