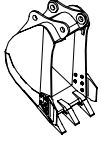
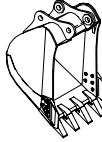
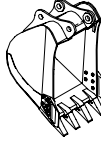
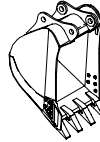
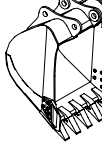


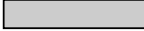
## 6. BUCKET SELECTION GUIDE


### 1) GENERAL BUCKET


				
0.30m <sup>3</sup> SAE heaped bucket	0.40m <sup>3</sup> SAE heaped bucket	※ 0.45m <sup>3</sup> SAE heaped bucket	0.50m <sup>3</sup> SAE heaped bucket	0.59m <sup>3</sup> SAE heaped bucket

Capacity		Width		Weight	Recommendation		
					4.3m (14' 1") Mono boom		
SAE heaped	CECE heaped	Without side cutter	With side cutter		1.96m arm (6' 5")	2.26m arm (7' 5")	2.81m arm (9' 3")
0.30m <sup>3</sup> (0.39yd <sup>3</sup> )	0.27m <sup>3</sup> (0.35yd <sup>3</sup> )	610mm (24.0")	720mm (28.3")	360kg (790lb)			
0.40m <sup>3</sup> (0.52yd <sup>3</sup> )	0.36m <sup>3</sup> (0.47yd <sup>3</sup> )	760mm (29.9")	870mm (34.3")	410kg (900lb)			
※ 0.45m <sup>3</sup> (0.59yd <sup>3</sup> )	0.40m <sup>3</sup> (0.52yd <sup>3</sup> )	830mm (32.7")	940mm (37.0")	430kg (950lb)			
0.50m <sup>3</sup> (0.65yd <sup>3</sup> )	0.45m <sup>3</sup> (0.59yd <sup>3</sup> )	900mm (35.4")	1010mm (39.8")	450kg (990lb)			
0.59m <sup>3</sup> (0.77yd <sup>3</sup> )	0.52m <sup>3</sup> (0.68yd <sup>3</sup> )	1020mm (40.2")	1130mm (44.5")	490kg (1080lb)			

※ : Standard bucket

 Applicable for materials with density of 2000kg/m<sup>3</sup> (3370lb/yd<sup>3</sup>) or less

 Applicable for materials with density of 1600kg/m<sup>3</sup> (2700lb/yd<sup>3</sup>) or less

 Applicable for materials with density of 1100kg/m<sup>3</sup> (1850lb/yd<sup>3</sup>) or less