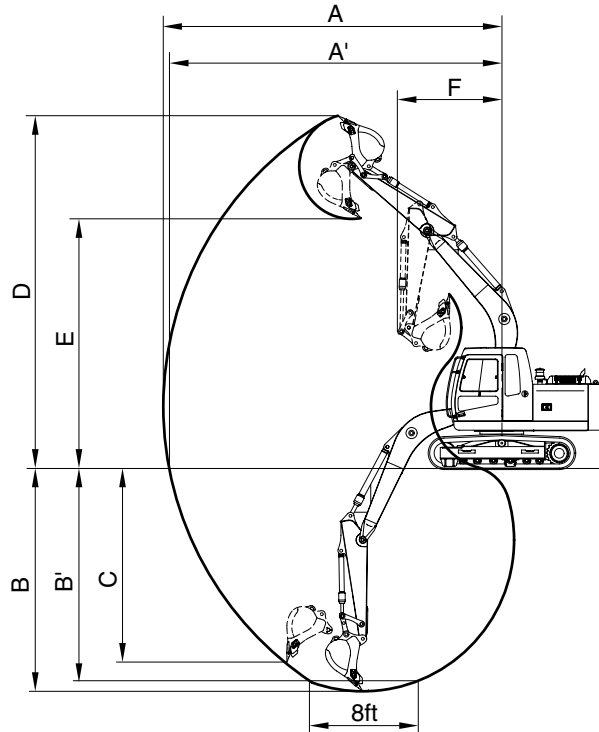


3. WORKING RANGE

1) R110-7A

(1) 4.3m(14' 1") MONO BOOM



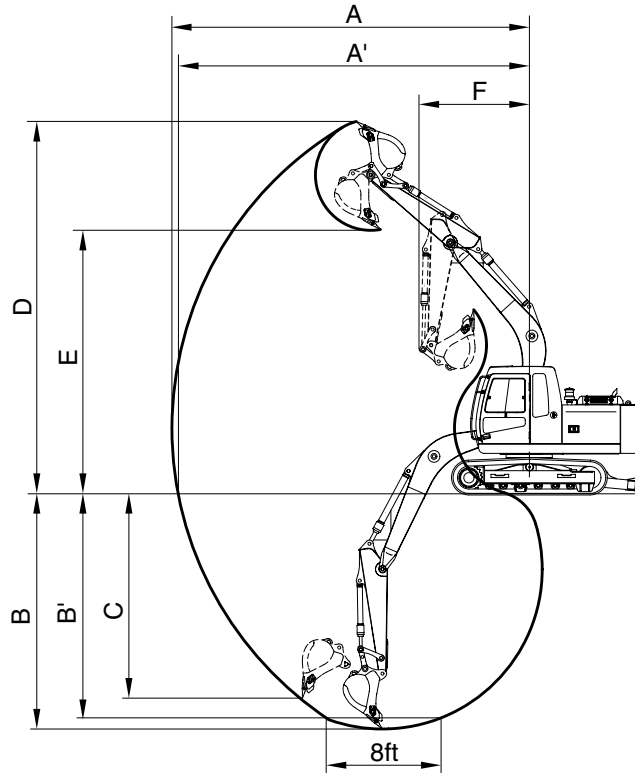
1107A2SP03

Description		1.96m(6' 5") Arm	※ 2.26m(7' 5") Arm	2.81m(9' 3") Arm
Max digging reach	A	7460mm (24' 6")	7740mm (25' 5")	8270mm (27' 2")
Max digging reach on ground	A'	7320mm (24' 0")	7610mm (25' 0")	8140mm (26' 8")
Max digging depth	B	4770mm (15' 8")	5090mm (16' 8")	5620mm (18' 5")
Max digging depth (8ft level)	B'	4510mm (14' 10")	4870mm (16' 0")	5410mm (17' 9")
Max vertical wall digging depth	C	4070mm (13' 4")	4430mm (14' 6")	4940mm (16' 2")
Max digging height	D	7900mm (25' 11")	8070mm (26' 6")	8460mm (27' 9")
Max dumping height	E	5540mm (18' 2")	5710mm (18' 9")	6100mm (20' 0")
Min swing radius	F	2340mm (7' 8")	2380mm (7' 10")	2510mm (8' 3")
Bucket digging force	SAE	78.5 [85.6] kN	78.5 [85.6] kN	78.5 [85.6] kN
		8000 [8730] kgf	8000 [8730] kgf	8000 [8730] kgf
		17640 [19240] lbf	17640 [19240] lbf	17640 [19240] lbf
	ISO	90.2 [98.4] kN	90.2 [98.4] kN	90.2 [98.4] kN
		9200 [10040] kgf	9200 [10040] kgf	9200 [10040] kgf
		20280 [22120] lbf	20280 [22120] lbf	20280 [22120] lbf
Arm digging force	SAE	60.2 [65.7] kN	55.7 [60.8] kN	48.1 [52.4] kN
		6140 [6700] kgf	5680 [6200] kgf	4900 [5350] kgf
		13540 [14770] lbf	12520 [13660] lbf	10800 [11780] lbf
	ISO	62.9 [68.6] kN	58.1 [63.3] kN	49.7 [54.2] kN
		6410 [6990] kgf	5920 [6460] kgf	5070 [5530] kgf
		14130 [15410] lbf	13050 [14240] lbf	11180 [12200] lbf

※ : STD [] : Power boost

2) R110D-7A

(1) 4.3m(14' 1") MONO BOOM



1107A2SP04

Description		1.96m(6' 5") Arm	※2.26m(7' 5") Arm	2.81m(9' 3") Arm
Max digging reach	A	7460mm (24' 6")	7740mm (25' 5")	8270mm (27' 2")
Max digging reach on ground	A'	7320mm (24' 0")	7610mm (25' 0")	8140mm (26' 8")
Max digging depth	B	4770mm (15' 8")	5090mm (16' 8")	5620mm (18' 5")
Max digging depth (8ft level)	B'	4510mm (14' 10")	4870mm (16' 0")	5410mm (17' 9")
Max vertical wall digging depth	C	4070mm (13' 4")	4430mm (14' 6")	4940mm (16' 2")
Max digging height	D	7900mm (25' 11")	8070mm (26' 6")	8460mm (27' 9")
Max dumping height	E	5540mm (18' 2")	5710mm (18' 9")	6100mm (20' 0")
Min swing radius	F	2340mm (7' 8")	2380mm (7' 10")	2510mm (8' 3")
Bucket digging force	SAE	78.5 [85.6] kN	78.5 [85.6] kN	78.5 [85.6] kN
		8000 [8730] kgf	8000 [8730] kgf	8000 [8730] kgf
		17640 [19240] lbf	17640 [9240] lbf	17640 [19240] lbf
	ISO	90.2 [98.4] kN	90.2 [98.4] kN	90.2 [98.4] kN
		9200 [10040] kgf	9200 [10040] kgf	9200 [10040] kgf
		20280 [22120] lbf	20280 [22120] lbf	20280 [22120] lbf
Arm digging force	SAE	60.2 [65.7] kN	55.7 [60.8] kN	48.1 [52.4] kN
		6140 [6700] kgf	5680 [6200] kgf	4900 [5350] kgf
		13540 [14770] lbf	12520 [13660] lbf	10800 [11780] lbf
	ISO	62.9 [68.6] kN	58.1 [63.3] kN	49.7 [54.2] kN
		6410 [6990] kgf	5920 [6460] kgf	5070 [5530] kgf
		14130 [15410] lbf	13050 [14240] lbf	11180 [12200] lbf

※ : STD [] : Power boost