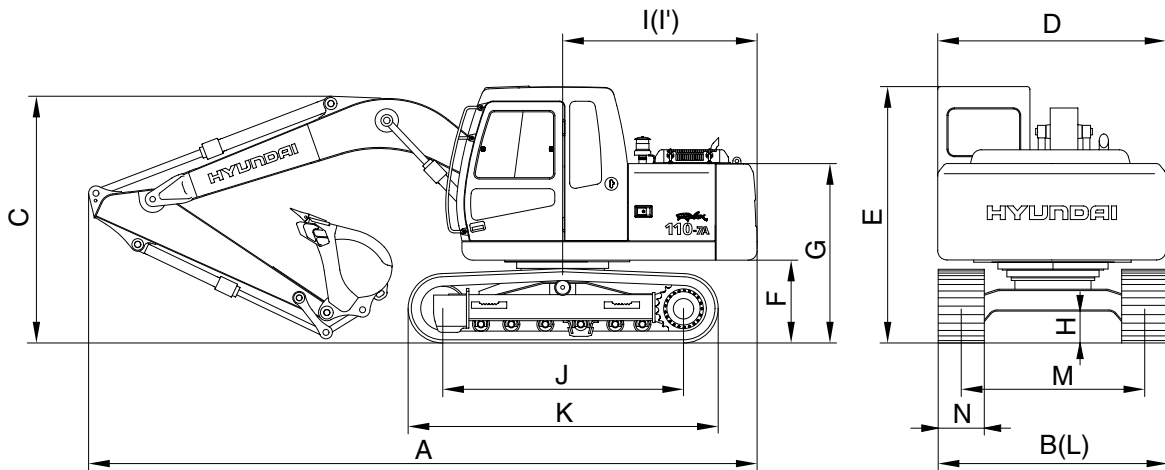


2. SPECIFICATIONS

1) R110-7A

(1) 4.3m(14' 1") MONO BOOM, 2.26m(7' 5") ARM

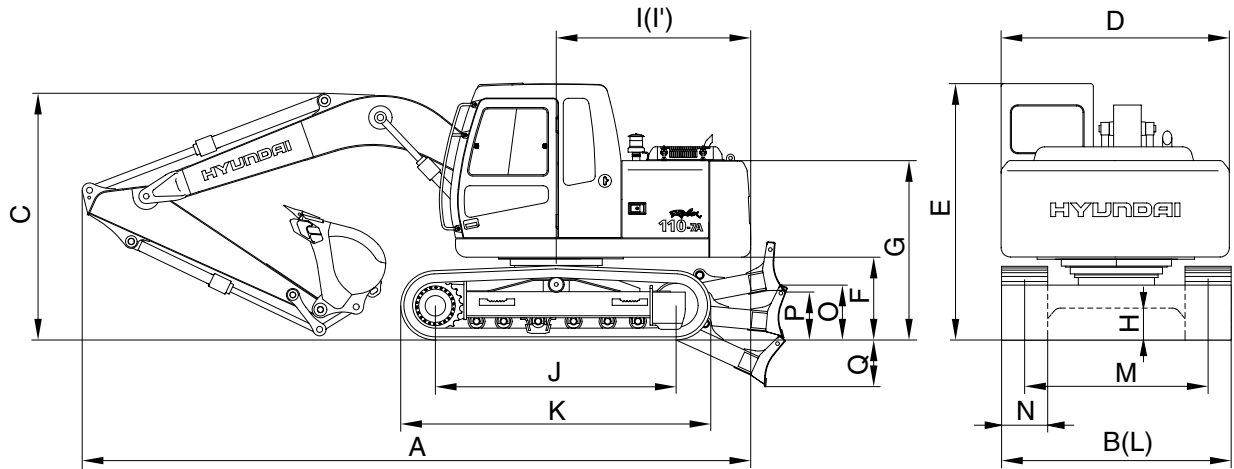


1107A2SP02

Description		Unit	Specification
Operating weight		kg(lb)	11200(24690)
Bucket capacity(SAE heaped), standard		m ³ (yd ³)	0.45(0.59)
Overall length	A	mm(ft-in)	7270(23' 10")
Overall width, with 500mm shoe	B		2490(8' 2")
Overall height	C		2720(8' 11")
Superstructure width	D		2475(8' 1")
Overall height of cab	E		2800(9' 2")
Ground clearance of counterweight	F		900(2' 11")
Engine cover height	G		1990(6' 6")
Minimum ground clearance	H		440(1' 5")
Rear-end distance	I		2110(6' 11")
Rear-end swing radius	I'		2130(7' 0")
Distance between tumblers	J		2610(8' 7")
Undercarriage length	K		3340(10' 11")
Undercarriage width	L		2490(8' 2")
Track gauge	M		1990(6' 6")
Track shoe width, standard	N		500(20")
Travel speed(Low/high)		km/hr(mph)	3.4/5.2(2.1/3.2)
Swing speed		rpm	12.0
Gradeability		Degree(%)	35(70)
Ground pressure(500mm shoe)		kgf/cm ² (psi)	0.39(5.55)

2) R110D-7A

(1) 4.3m(14' 1") MONO BOOM, 2.26m(7' 5") ARM AND REAR DOZER BLADE



1107A2SP02A

Description		Unit	Specification	
Operating weight		kg(lb)	11900(26230)	
Bucket capacity(SAE heaped), standard		m ³ (yd ³)	0.45(0.59)	
Overall length	A	mm(ft-in)	7650(25' 1")	
Overall width, with 500mm shoe	B		2500(8' 2")	
Overall height	C		2720(8' 11")	
Superstructure width	D		2475(8' 1")	
Overall height of cab	E		2800(9' 2")	
Ground clearance of counterweight	F		900(2' 11")	
Engine cover height	G		1990(6' 6")	
Minimum ground clearance	H		440(1' 5")	
Rear-end distance	I		2110(6' 11")	
Rear-end swing radius	I'		2130(7' 0")	
Distance between tumbler	J		2610(8' 7")	
Undercarriage length	K		3340(10' 11")	
Undercarriage width	L		2490(8' 2")	
Track gauge	M		1990(6' 6")	
Track shoe width, standard	N		500(20")	
Height of blade	O		550(1' 10")	
Ground clearance of blade up	P		500(1' 8")	
Depth of blade down	Q		520(1' 8")	
Travel speed(Low/high)			km/hr(mph)	3.4/5.2(2.1/3.2)
Swing speed			rpm	12.0
Gradeability		Degree(%)	35(70)	
Ground pressure(500mm shoe)		kgf/cm ² (psi)	0.42(5.97)	