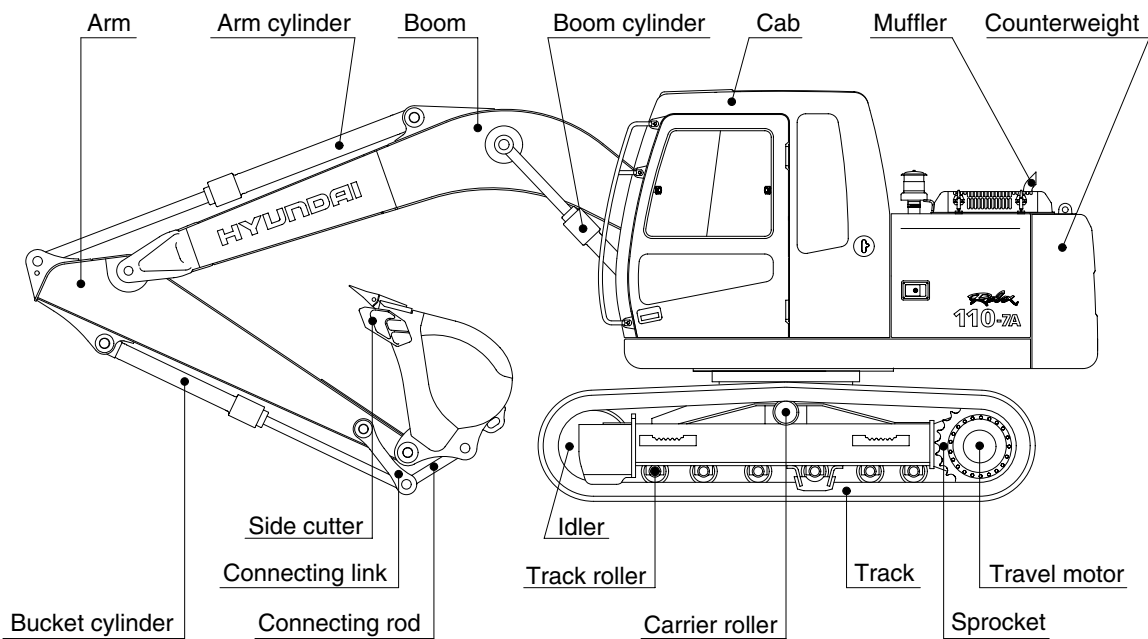
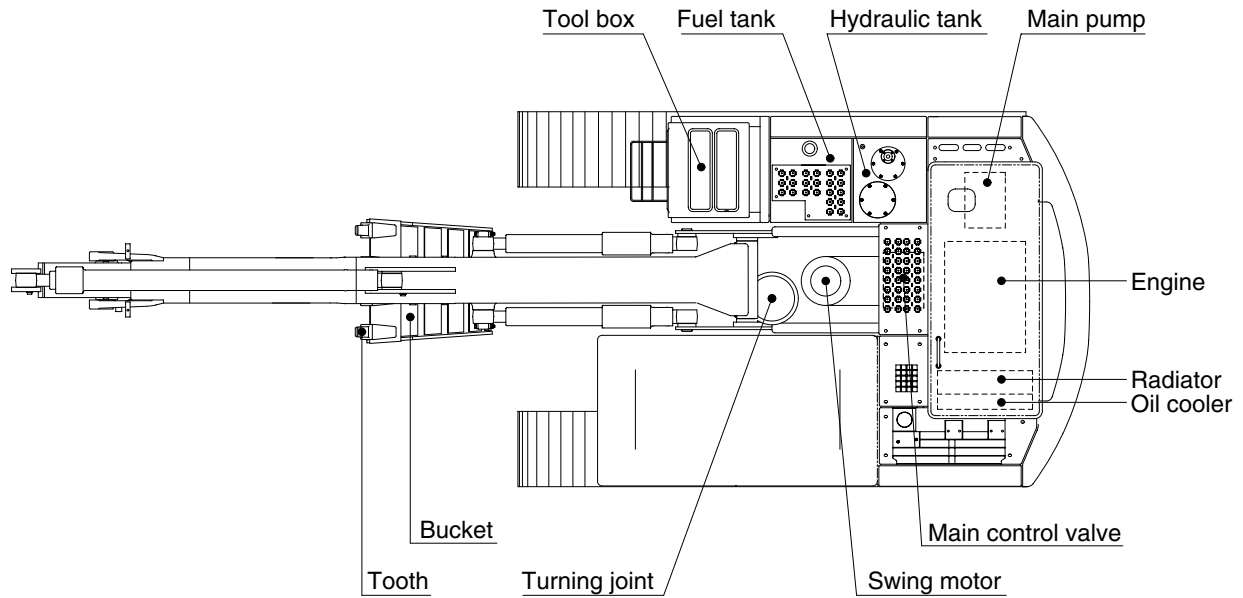


SPECIFICATIONS

1. MAJOR COMPONENT



1107A2SP01