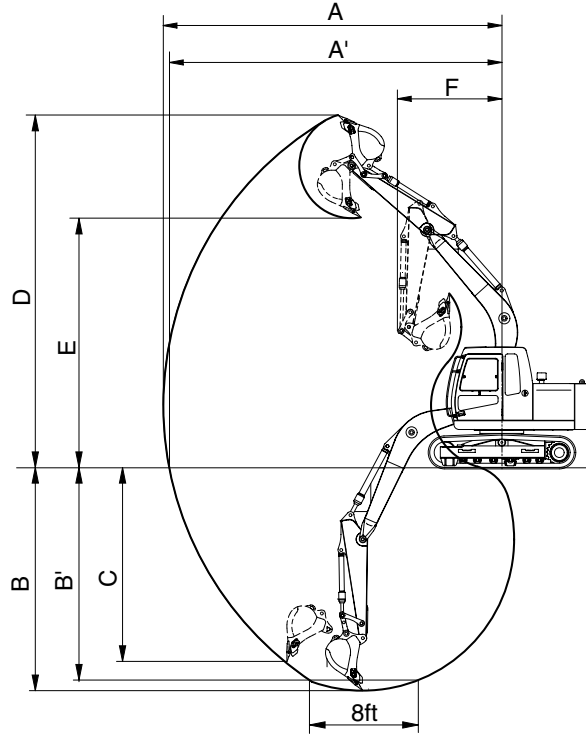


### 3. WORKING RANGE

#### 1) R110-7

#### (1) 4.3m(14' 1") MONO BOOM



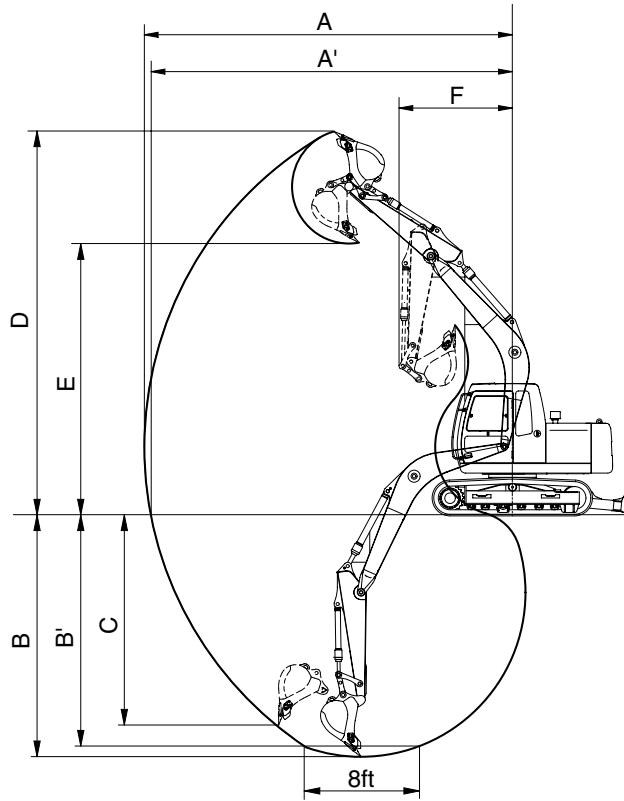
11072SP03

| Description                     |     | 1.96m(6' 5") Arm  | 2.26m(7' 5") Arm  | 2.81m(9' 3") Arm  |
|---------------------------------|-----|-------------------|-------------------|-------------------|
| Max digging reach               | A   | 7460mm (24' 6")   | 7740mm (25' 5")   | 8270mm (27' 2")   |
| Max digging reach on ground     | A'  | 7320mm (24' 0")   | 7610mm (25' 0")   | 8140mm (26' 8")   |
| Max digging depth               | B   | 4770mm (15' 8")   | 5090mm (16' 8")   | 5620mm (18' 5")   |
| Max digging depth (8ft level)   | B'  | 4510mm (14' 10")  | 4870mm (16' 0")   | 5410mm (17' 9")   |
| Max vertical wall digging depth | C   | 4070mm (13' 4")   | 4430mm (14' 6")   | 4940mm (16' 2")   |
| Max digging height              | D   | 7900mm (25' 11")  | 8070mm (26' 6")   | 8460mm (27' 9")   |
| Max dumping height              | E   | 5540mm (18' 2")   | 5710mm (18' 9")   | 6100mm (20' 0")   |
| Min swing radius                | F   | 2340mm ( 7' 8")   | 2380mm ( 7' 10")  | 2510mm ( 8' 3")   |
| Bucket digging force            | SAE | 78.5 [85.6] kN    | 78.5 [85.6] kN    | 78.5 [85.6] kN    |
|                                 |     | 8000 [8730] kgf   | 8000 [8730] kgf   | 8000 [8730] kgf   |
|                                 |     | 17640 [19240] lbf | 17640 [19240] lbf | 17640 [19240] lbf |
|                                 | ISO | 90.2 [98.4] kN    | 90.2 [98.4] kN    | 90.2 [98.4] kN    |
|                                 |     | 9200 [10040] kgf  | 9200 [10040] kgf  | 9200 [10040] kgf  |
|                                 |     | 20280 [22120] lbf | 20280 [22120] lbf | 20280 [22120] lbf |
| Arm digging force               | SAE | 60.2 [65.7] kN    | 55.7 [60.8] kN    | 48.1 [52.4] kN    |
|                                 |     | 6140 [6700] kgf   | 5680 [6200] kgf   | 4900 [5350] kgf   |
|                                 |     | 13540 [14770] lbf | 12520 [13660] lbf | 10800 [11780] lbf |
|                                 | ISO | 62.9 [68.6] kN    | 58.1 [63.3] kN    | 49.7 [54.2] kN    |
|                                 |     | 6410 [6990] kgf   | 5920 [6460] kgf   | 5070 [5530] kgf   |
|                                 |     | 14130 [15410] lbf | 13050 [14240] lbf | 11180 [12200] lbf |

[ ] : Power boost

2) R110D-7

(1) 4.3m(14' 1") MONO BOOM



11072SP04

| Description                     |     | 1.96m(6' 5") Arm  | 2.26m(7' 5") Arm  | 2.81m(9' 3") Arm  |
|---------------------------------|-----|-------------------|-------------------|-------------------|
| Max digging reach               | A   | 7460mm (24' 6")   | 7740mm (25' 5")   | 8270mm (27' 2")   |
| Max digging reach on ground     | A'  | 7320mm (24' 0")   | 7610mm (25' 0")   | 8140mm (26' 8")   |
| Max digging depth               | B   | 4770mm (15' 8")   | 5090mm (16' 8")   | 5620mm (18' 5")   |
| Max digging depth (8ft level)   | B'  | 4510mm (14' 10")  | 4870mm (16' 0")   | 5410mm (17' 9")   |
| Max vertical wall digging depth | C   | 4070mm (13' 4")   | 4430mm (14' 6")   | 4940mm (16' 2")   |
| Max digging height              | D   | 7900mm (25' 11")  | 8070mm (26' 6")   | 8460mm (27' 9")   |
| Max dumping height              | E   | 5540mm (18' 2")   | 5710mm (18' 9")   | 6100mm (20' 0")   |
| Min swing radius                | F   | 2340mm ( 7' 8")   | 2380mm ( 7' 10")  | 2510mm ( 8' 3")   |
| Bucket digging force            | SAE | 78.5 [85.6] kN    | 78.5 [85.6] kN    | 78.5 [85.6] kN    |
|                                 |     | 8000 [8730] kgf   | 8000 [8730] kgf   | 8000 [8730] kgf   |
|                                 |     | 17640 [19240] lbf | 17640 [9240] lbf  | 17640 [19240] lbf |
|                                 | ISO | 90.2 [98.4] kN    | 90.2 [98.4] kN    | 90.2 [98.4] kN    |
|                                 |     | 9200 [10040] kgf  | 9200 [10040] kgf  | 9200 [10040] kgf  |
|                                 |     | 20280 [22120] lbf | 20280 [22120] lbf | 20280 [22120] lbf |
| Arm digging force               | SAE | 60.2 [65.7] kN    | 55.7 [60.8] kN    | 48.1 [52.4] kN    |
|                                 |     | 6140 [6700] kgf   | 5680 [6200] kgf   | 4900 [5350] kgf   |
|                                 |     | 13540 [14770] lbf | 12520 [13660] lbf | 10800 [11780] lbf |
|                                 | ISO | 62.9 [68.6] kN    | 58.1 [63.3] kN    | 49.7 [54.2] kN    |
|                                 |     | 6410 [6990] kgf   | 5920 [6460] kgf   | 5070 [5530] kgf   |
|                                 |     | 14130 [15410] lbf | 13050 [14240] lbf | 11180 [12200] lbf |

[ ] : Power boost