

## 1. INSTRUCTIONS

### 1) INTERVAL OF MAINTENANCE

- (1) You may inspect and service the machine by the period as described at page 6-10 based on service meter of monitor.
- (2) Shorten the interval of inspect and service depending on site condition. (Such as dusty area, quarry, sea shore and etc.)
- (3) Practice the entire related details at the same time when the service interval is doubled.  
For example, in case of 250 hours, carry out all the maintenance 「each 250 hours, each 100 hours and daily service」 at the same time.



### 2) PRECAUTION

- (1) Start maintenance after you have the full knowledge of machine.
- (2) The cluster and monitor installed on this machine do not entirely guarantee the condition of the machine.  
Daily inspection should be performed according to chapter 6, Maintenance.
- (3) Engine and hydraulic components have been preset in the factory.  
Do not allow unauthorized personnel to reset them.
- (4) Ask to your local dealer or Hyundai for maintenance advise if unknown.
- (5) Drain the used oil and coolant in a container and handle according to the method of handling for industrial waste to meet with regulations of each province or country.

### 3) PROPER MAINTENANCE

(1) Replace and repair of parts

It is required to replace the wearable and consumable parts such as bucket tooth, cutting edge, filter and etc., regularly.

Replace damaged or worn parts at proper time to keep the performance of machine.

(2) Use genuine parts.

(3) Use the recommended oil.

(4) Remove the dust or water around the inlet of oil tank before supplying oil.

(5) Drain oil when the temperature of oil is warm.

(6) Do not repair anything while operating the engine.

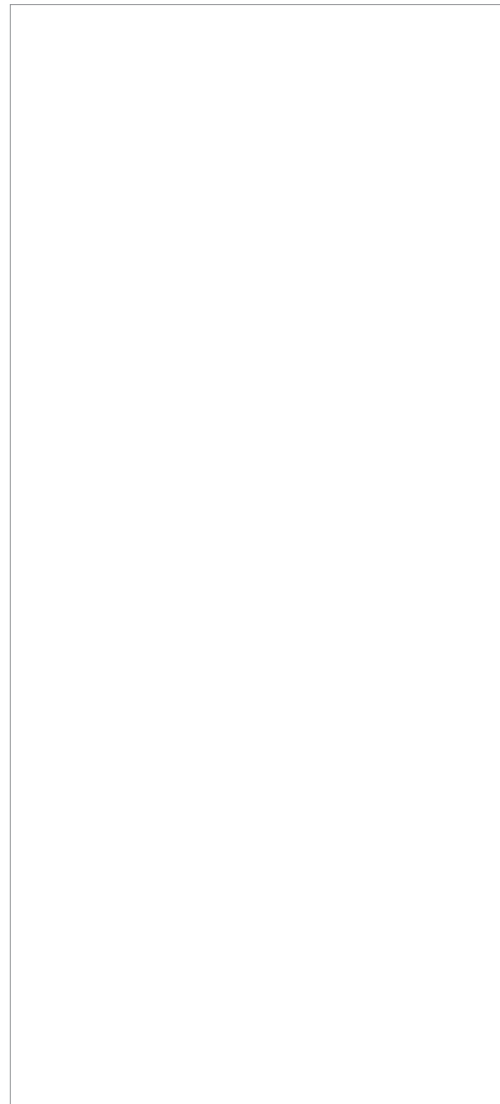
Stop the engine when you fill the oil.

(7) Relieve hydraulic system of the pressure by opening of breather when repairing the hydraulic system.

(8) Confirm if the cluster is in the normal condition after completion of service.

(9) For more detail information of maintenance, please contact local Hyundai dealer.

※ **Be sure to start the maintenance after fully understand the chapter 1, Safety hints.**

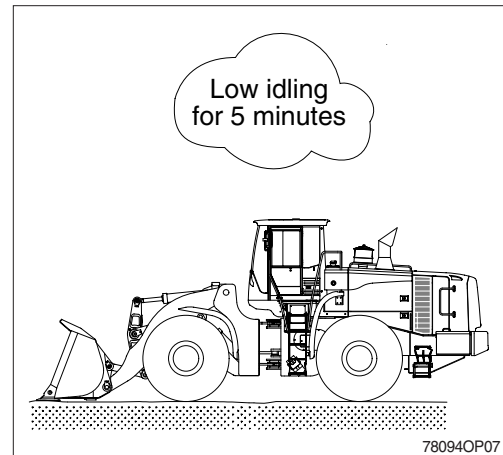


#### 4) RELIEVING THE PRESSURE IN THE HYDRAULIC SYSTEM

※ Spouting of oil can cause the accident when loosening the cap or hose right after the operating of the machine as the machine or oil is on the high pressure on the condition.

Be sure to relieve the pressure in the system before repairing hydraulic system.

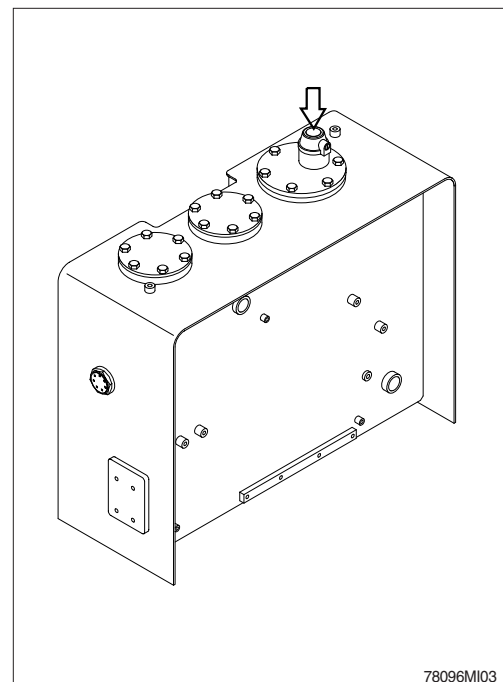
(1) Place the machine in parking position, and stop the engine.



(2) To release air in the tank, push down the cover cap.

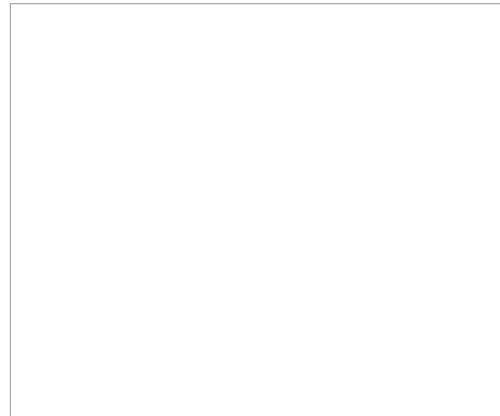
※ Due to high pressure inside the tank, cover cap maybe blown up.

Take caution before removing cover cap.



## 5) PRECAUTION WHEN INSTALLING HYDRAULIC HOSES OR PIPES

- (1) Be particularly careful that the joint of hose, pipe and functioning item are not damaged.  
Avoid contamination.
- (2) Assemble after cleaning the hose, pipe and joint of functioning item.
- (3) Use genuine parts.
- (4) Do not assemble the hose in the condition of twisted or sharp radius.
- (5) Keep the specified tighten torque.



## 6) PERIODICAL REPLACEMENT OF SAFETY PARTS

- (1) These are the parts which the operator can not judge the remained lifetime of them by visual inspection.
- (2) Repair or replace if an abnormality of these parts is found even before the recommended replacement interval.

| Periodical replacement of safety parts           | Interval      |
|--|---------------|
| Fuel hose (engine-tank)                          | Every 2 years |
| Hose of steering system                          |               |
| Packing, seal and O-ring of steering cylinder    |               |
| Hose of brake system                             |               |
| Piston seal and packing of boom, bucket cylinder |               |

- ※ 1. **Replace the O-ring and gasket at the same time when replace the hose.**
- ※ 2. **Replace clamp at the same time if the hose clamp is cracked when checking and replacing the hose.**

