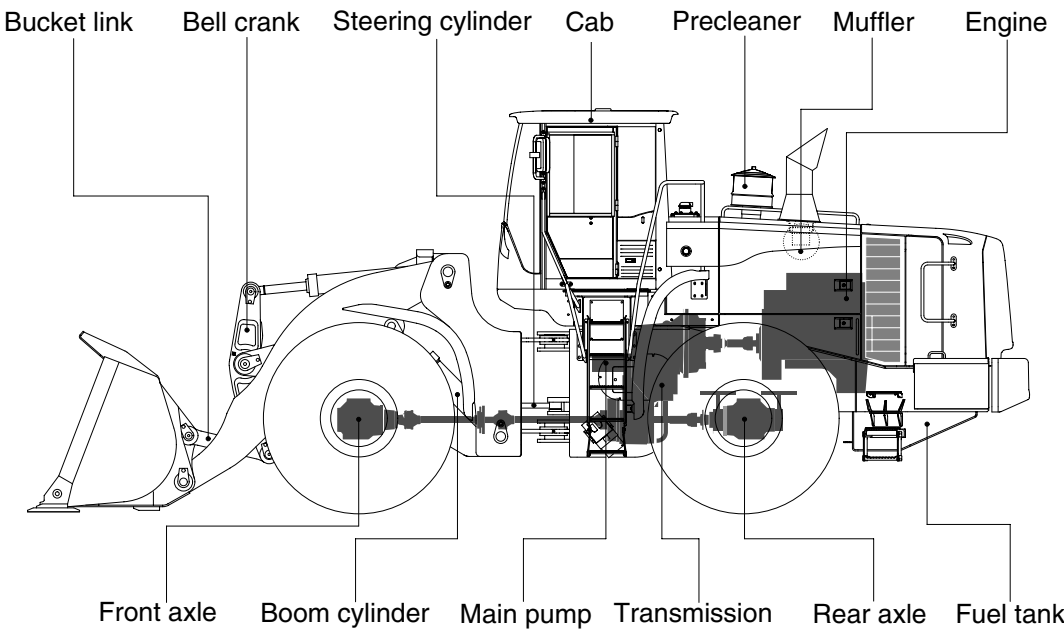
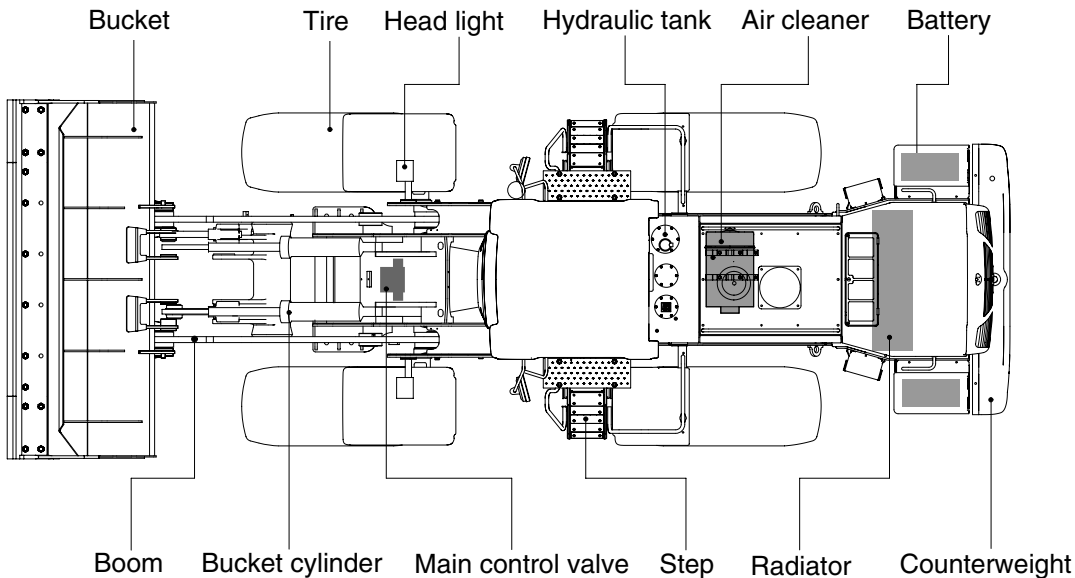


2. SPECIFICATIONS

1. MAJOR COMPONENTS



78092SE01