

8. ADJUSTMENT OF THE WORK EQUIPMENT

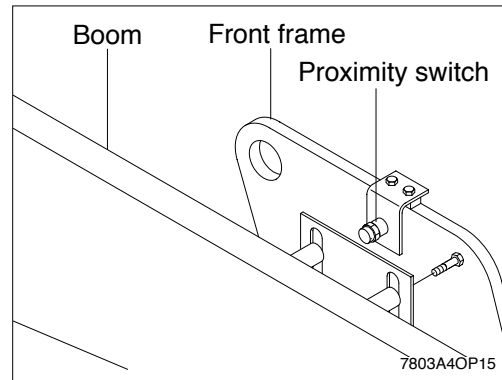
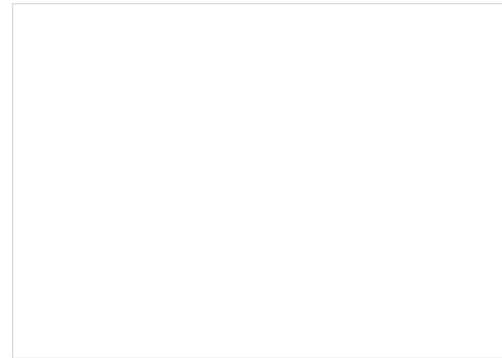
The bucket can be adjusted to a height desired by using the boom kick-out device.

- ▲ Park the machine on level ground and block the tires to prevent sudden movement of the machine.
- ▲ Press the parking brake switch.
- ▲ Fix the front and rear frames by using the safety lock bar.
- ▲ Do not work underneath the work equipment.

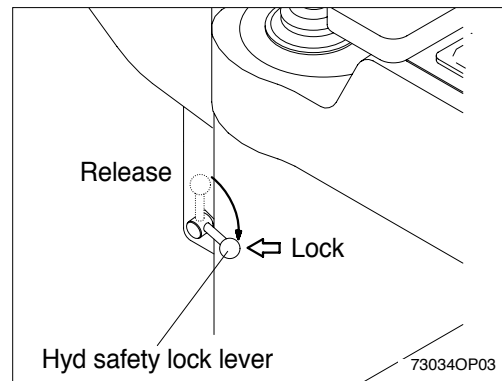
1) ADJUSTMENT OF THE BOOM KICK OUT

(1) Start the engine. Lift the boom up to a desired height, set the boom control lever at hold, then stop the engine.

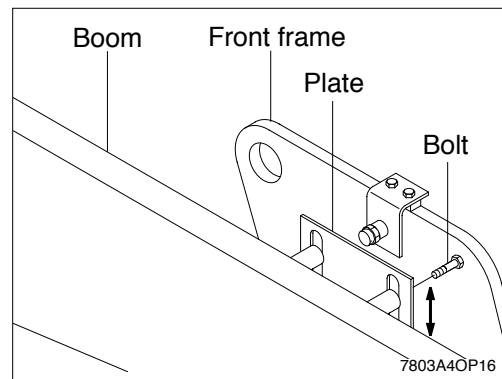
- ▲ Be careful lest work equipment fall down.
- ▲ With the attachment raised, proper support must be provided for the attachment and/or linkage.



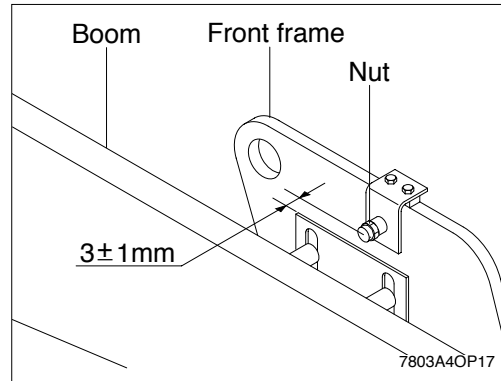
(2) Put the hydraulic safety lock lever in the LOCK position.



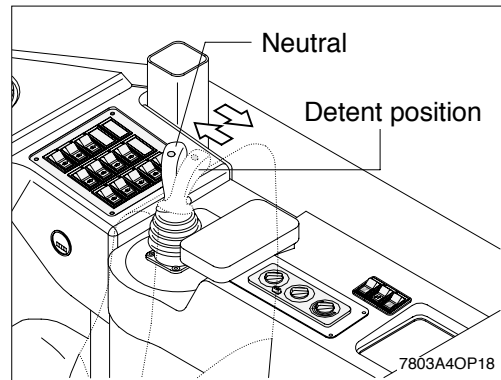
(3) Loosen the bolts. Move the plate so that the boom is in line with the center of the sensing surface of proximity switch. Then tighten the bolts.



- (4) Loosen the nuts so that a clearance between the boom and the probe of the proximity switch are $3 \pm 1\text{mm}$.



- (5) After adjusting the boom in the boom kick out position, start the engine. Then lift the bucket to a desired height by using the control lever. Confirm the lever automatically returns to the detent position.



2) BUCKET LEVELER

- (1) The excavation angle of this machine is set to be in parallel to the surface.

