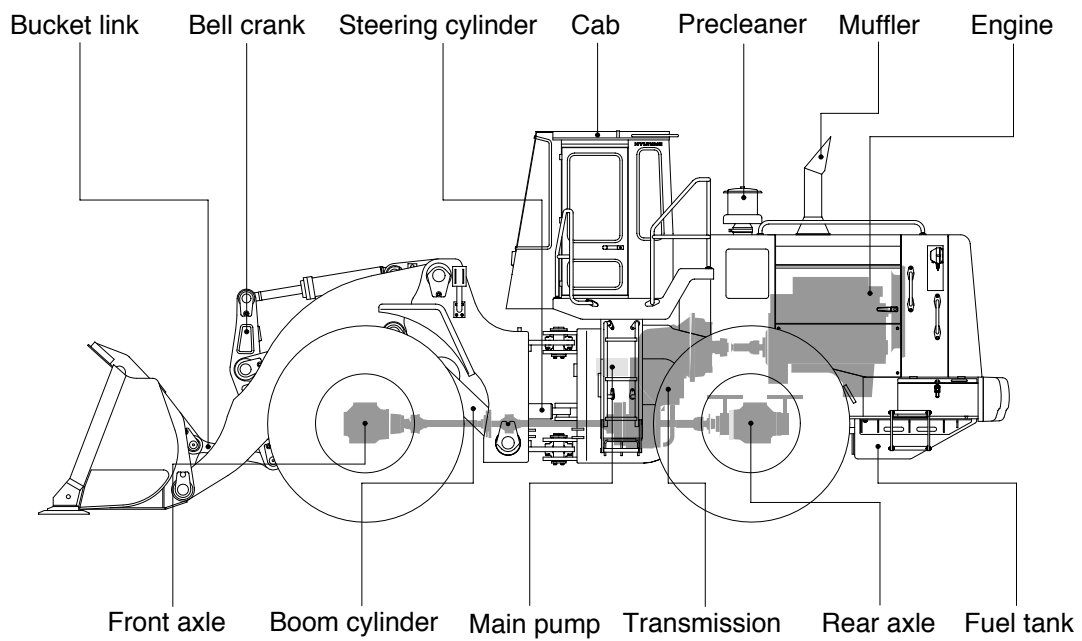
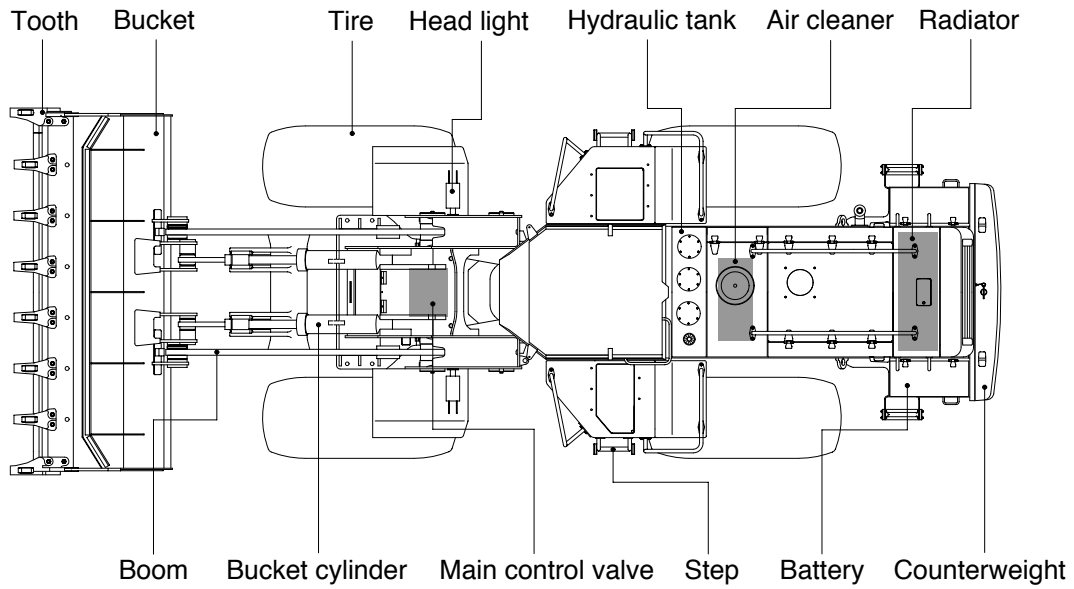


2. SPECIFICATIONS

1. MAJOR COMPONENTS



7803A2SE01