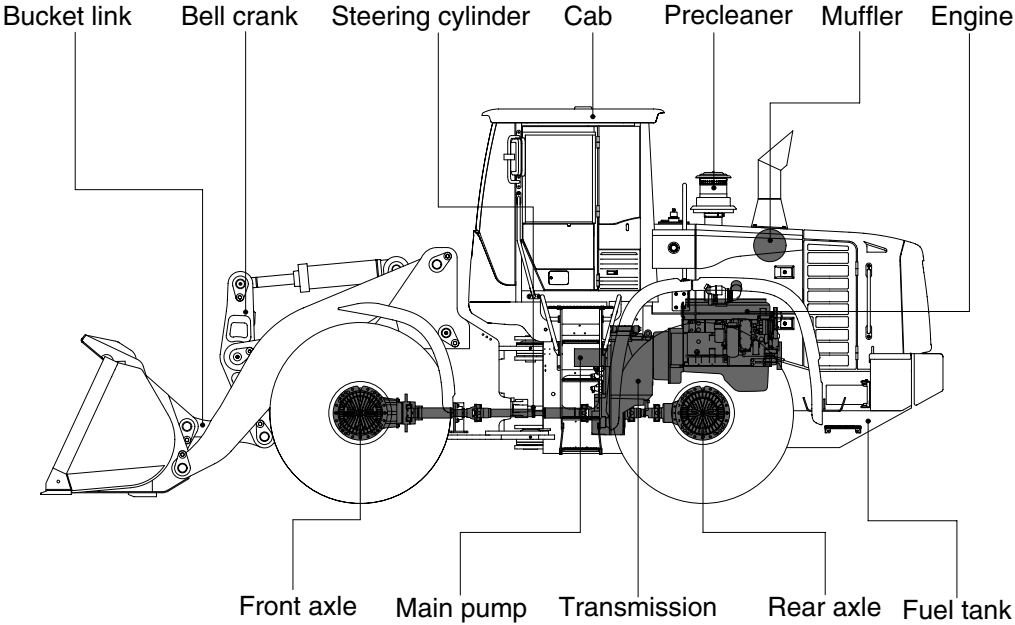
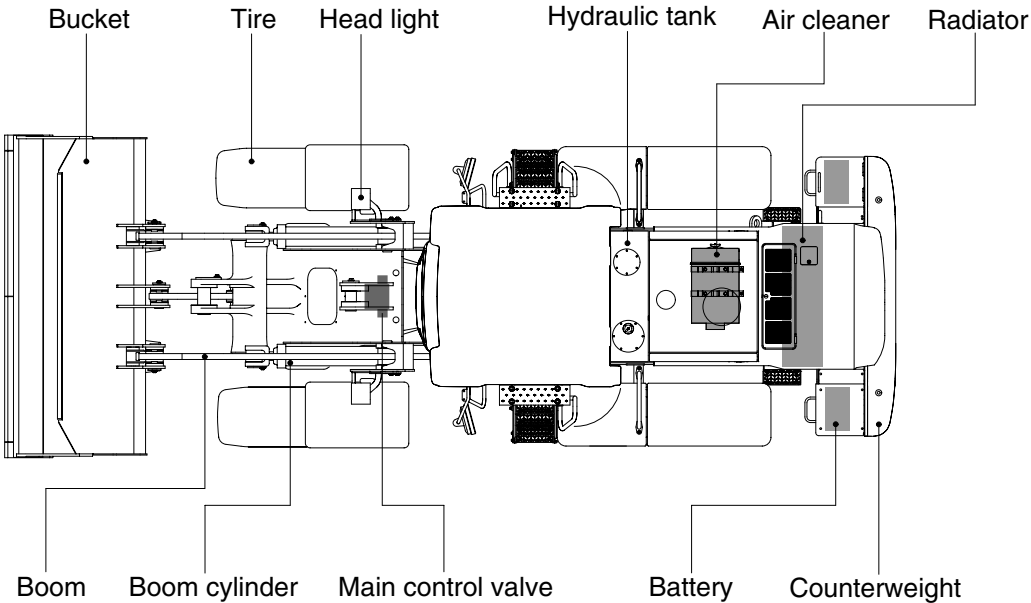


# 2. SPECIFICATIONS

## 1. MAJOR COMPONENTS



77092SE01