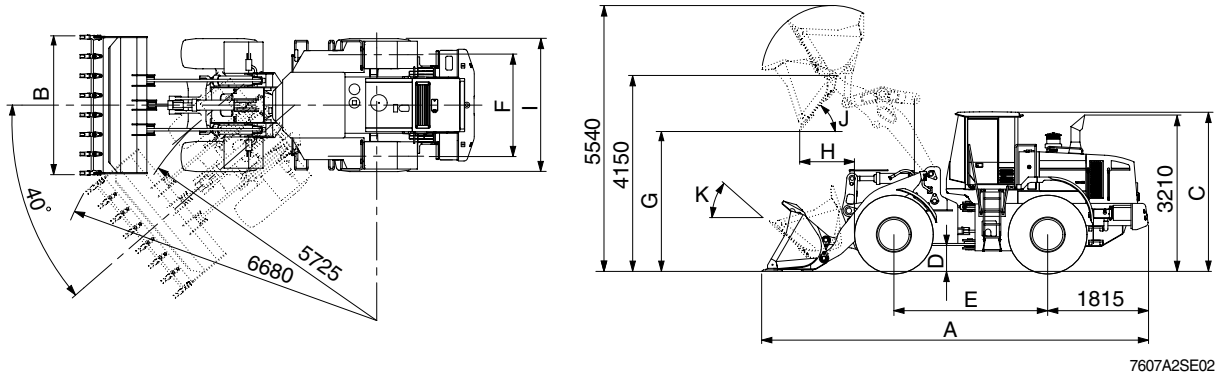


## 2. SPECIFICATIONS

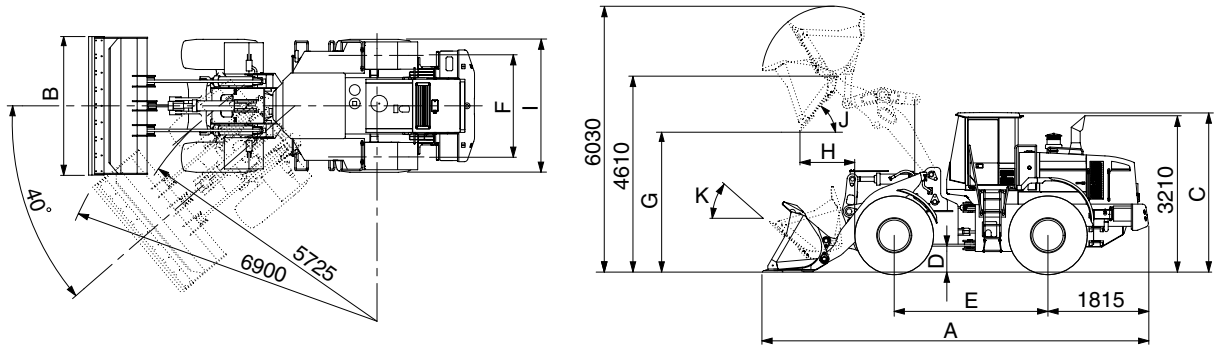
### 1) WITH BOLT-ON CUTTING EDGE TYPE BUCKET(HL760-7A)



7607A2SE02

Description		Unit	Specification	
Operating weight		kg(lb)	17900(39460)	
Bucket capacity	Struck	m <sup>3</sup> (yd <sup>3</sup> )	2.7(3.5)	
	Heaped		3.1(4.1)	
Overall length	A	mm(ft-in)	8060(26' 5")	
Overall width	B		2900( 9' 6")	
Overall height	C		3440(11' 3")	
Ground clearance	D		420( 1' 5")	
Wheelbase	E		3300(10'10")	
Tread	F		2160( 7' 1")	
Dump clearance at 45°	G		3000( 9'10")	
Dump reach(Full lift)	H		1190( 3'11")	
Width over tires	I		2770( 9' 1")	
Dump angle	J		Degree (°)	47
Roll back angle(Carry position)	K			47
Cycle time	Lift(With load)	sec	6.2	
	Dump(With load)		1.3	
	Lower(Empty)		3.0	
Maximum travel speed		km/hr(mph)	34.3(21.3)	
Braking distance		m(ft-in)	11(36' 1")	
Minimum turning radius(Center of outside tire)			5.73(18' 9")	
Gradability		Degree (°)	30	
Travel speed	Forward	First gear	6.2(3.9)	
		Second gear	11.7(7.3)	
		Third gear	22.3(13.9)	
		Fourth gear	34.3(21.3)	
	Reverse	First gear	6.6(4.1)	
		Second gear	12.3(7.6)	
Third gear		23.3(14.5)		

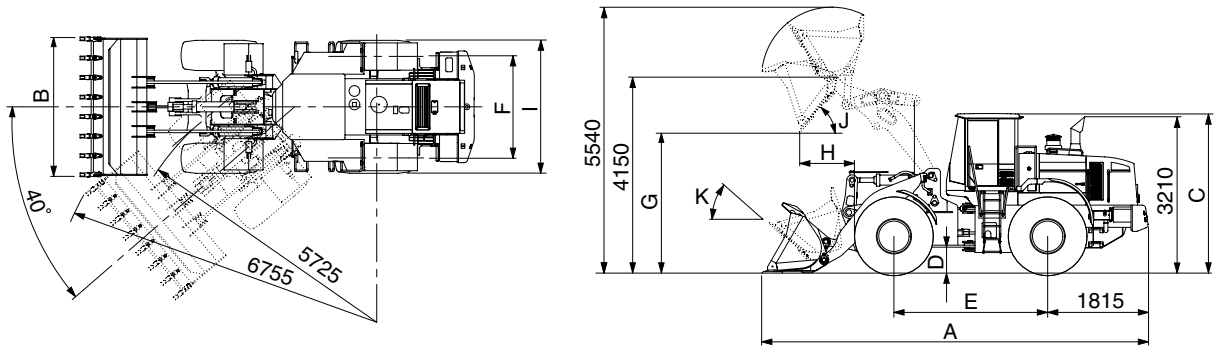
**WITH BOLT-ON CUTTING EDGE TYPE BUCKET(HL760XTD-7A)**



7607A2SE03

Description		Unit	Specification	
Operating weight		kg(lb)	18700(41230)	
Bucket capacity	Struck	m <sup>3</sup> (yd <sup>3</sup> )	2.7(3.5)	
	Heaped		3.1(4.1)	
Overall length	A	mm(ft-in)	8620(28' 3")	
Overall width	B		2900( 9' 6")	
Overall height	C		3440(11' 3")	
Ground clearance	D		420( 1' 5")	
Wheelbase	E		3300(10'10")	
Tread	F		2160( 7' 1")	
Dump clearance at 45°	G		3490(11' 5")	
Dump reach(Full lift)	H		1215( 4' 0")	
Width over tires	I		2770( 9' 1")	
Dump angle	J		Degree (°)	47
Roll back angle(Carry position)	K			49
Cycle time	Lift(With load)	sec	6.2	
	Dump(With load)		1.3	
	Lower(Empty)		3.0	
Maximum travel speed		km/hr(mph)	34.3(21.3)	
Braking distance		m(ft-in)	11(36' 1")	
Minimum turning radius(Center of outside tire)			5.73(18' 9")	
Gradability		Degree (°)	30	
Travel speed	Forward	First gear	6.2(3.9)	
		Second gear	11.7(7.3)	
		Third gear	22.3(13.9)	
		Fourth gear	34.3(21.3)	
	Reverse	First gear	6.6(4.1)	
		Second gear	12.3(7.6)	
Third gear		23.3(14.5)		

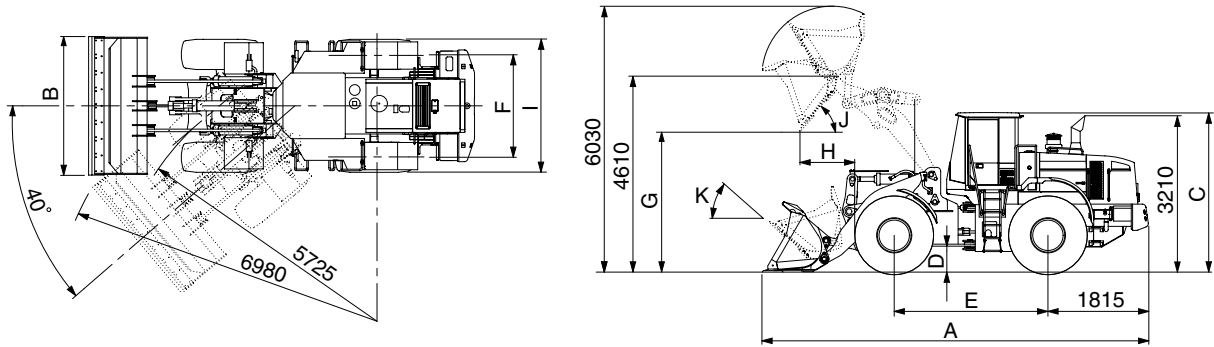
## 2) WITH TOOTH TYPE BUCKET(HL760-7A)



7607A2SE04

Description		Unit	Specification	
Operating weight		kg(lb)	17900(39460)	
Bucket capacity	Struck	m <sup>3</sup> (yd <sup>3</sup> )	2.6(3.4)	
	Heaped		3.0(3.9)	
Overall length	A	mm(ft-in)	8180(26'10")	
Overall width	B		2950( 9' 8")	
Overall height	C		3440(11' 3")	
Ground clearance	D		420( 1' 5")	
Wheelbase	E		3300(10'10")	
Tread	F		2160( 7' 1")	
Dump clearance at 45°	G		2870( 9' 5")	
Dump reach(Full lift)	H		1270( 4' 2")	
Width over tires	I		2770( 9' 1")	
Dump angle	J		Degree (°)	47
Roll back angle(Carry position)	K			47
Cycle time	Lift(With load)		sec	6.2
	Dump(With load)	1.3		
	Lower(Empty)	3.0		
Maximum travel speed		km/hr(mph)	34.3(21.3)	
Braking distance		m(ft-in)	11(36' 1")	
Minimum turning radius(Center of outside tire)			5.73(18' 9")	
Gradability		Degree (°)	30	
Travel speed	Forward	First gear	6.2(3.9)	
		Second gear	11.7(7.3)	
		Third gear	22.3(13.9)	
		Fourth gear	34.3(21.3)	
	Reverse	First gear	6.6(4.1)	
		Second gear	12.3(7.6)	
Third gear		23.3(14.5)		

**WITH TOOTH TYPE BUCKET(HL760XTD-7A)**



7607A2SE05

Description		Unit	Specification	
Operating weight		kg(lb)	18700(41230)	
Bucket capacity	Struck	m <sup>3</sup> (yd <sup>3</sup> )	2.6(3.4)	
	Heaped		3.0(3.9)	
Overall length	A	mm(ft-in)	8770(28' 9")	
Overall width	B		2950( 9' 8")	
Overall height	C		3440(11' 3")	
Ground clearance	D		420( 1' 5")	
Wheelbase	E		3300(10'10")	
Tread	F		2160( 7' 1")	
Dump clearance at 45°	G		3360(11' 0")	
Dump reach(Full lift)	H		1305( 4' 3")	
Width over tires	I		2770( 9' 1")	
Dump angle	J		Degree (°)	47
Roll back angle(Carry position)	K			49
Cycle time	Lift(With load)		sec	6.2
	Dump(With load)			1.3
	Lower(Empty)	3.0		
Maximum travel speed		km/hr(mph)	34.3(21.3)	
Braking distance		m(ft-in)	11(36' 1")	
Minimum turning radius(Center of outside tire)			5.73(18' 9")	
Gradability		Degree (°)	30	
Travel speed	Forward	First gear	6.2(3.9)	
		Second gear	11.7(7.3)	
		Third gear	22.3(13.9)	
		Fourth gear	34.3(21.3)	
	Reverse	First gear	6.6(4.1)	
		Second gear	12.3(7.6)	
Third gear		23.3(14.5)		