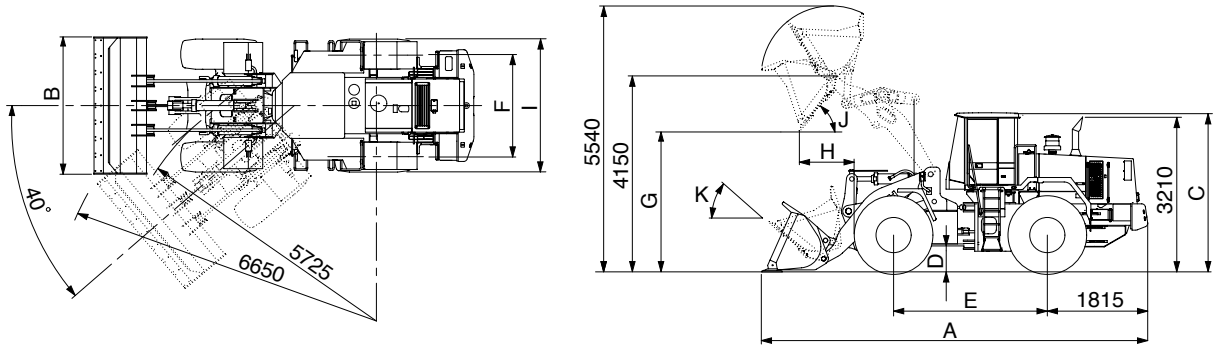


2. SPECIFICATIONS

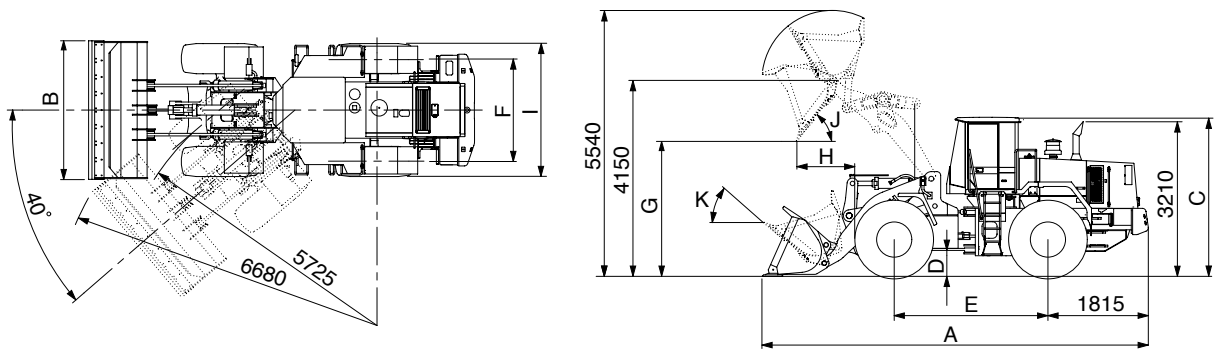
1) WITHOUT TOOTH AND CUTTING EDGE TYPE BUCKET



76072SE02

Description		Unit	Specification	
Operating weight		kg(lb)	17900	
Bucket capacity	Struck	m ³ (yd ³)	2.6(3.4)	
	Heaped		3.0(3.9)	
Overall length	A	mm(ft-in)	7960(26' 1")	
Overall width	B		2900(9' 6")	
Overall height	C		3440(11' 3")	
Ground clearance	D		420(1' 5")	
Wheelbase	E		3300(10'10")	
Tread	F		2160(7' 1")	
Dump clearance at 45°	G		3075(10' 1")	
Dump reach(Full lift)	H		1155(3'10")	
Width over tires	I		2770(9' 1")	
Dump angle	J		Degree (°)	47
Roll back angle(Carry position)	K			47
Cycle time	Lift(With load)	sec	6.2	
	Dump(With load)		1.3	
	Lower(Empty)		3.0	
Maximum travel speed		km/hr(mph)	36.4(22.7)	
Braking distance		m(ft-in)	11(36' 1")	
Minimum turning radius(Center of outside tire)			5.73(18' 9")	
Gradability		Degree (°)	30	
Travel speed	Forward	First gear	7.6(4.7)	
		Second gear	12.8(8.0)	
		Third gear	23.6(14.7)	
		Fourth gear	36.4(22.7)	
	Reverse	First gear	8.0(5.0)	
		Second gear	13.5(8.4)	
Third gear		24.7(15.4)		

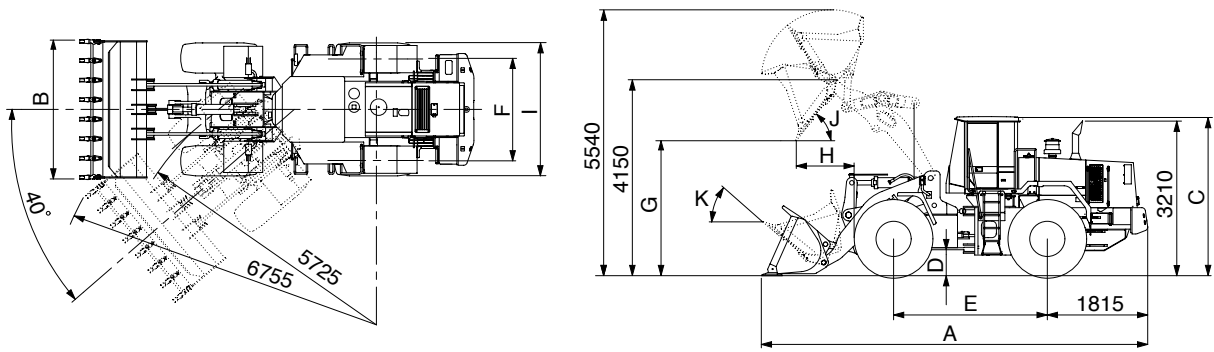
2) WITH BOLT-ON CUTTING EDGE TYPE BUCKET



76072SE03

Description		Unit	Specification	
Operating weight		kg(lb)	17900(39460)	
Bucket capacity	Struck	m ³ (yd ³)	2.7(3.5)	
	Heaped		3.1(4.1)	
Overall length	A	mm(ft-in)	8060(26' 5")	
Overall width	B		2900(9' 6")	
Overall height	C		3440(11' 3")	
Ground clearance	D		420(1' 5")	
Wheelbase	E		3300(10'10")	
Tread	F		2160(7' 1")	
Dump clearance at 45.	G		3000(9'10")	
Dump reach(Full lift)	H		1190(3'11")	
Width over tires	I		2770(9' 1")	
Dump angle	J		Degree (°)	47
Roll back angle(Carry position)	K			47
Cycle time	Lift(With load)	sec	6.2	
	Dump(With load)		1.3	
	Lower(Empty)		3.0	
Maximum travel speed		km/hr(mph)	36.4(22.7)	
Braking distance		m(ft-in)	11(36' 1")	
Minimum turning radius(Center of outside tire)			5.73(18' 9")	
Gradability		Degree (°)	30	
Travel speed	Forward	km/hr(mph)	First gear	
			Second gear	
			Third gear	
			Fourth gear	
	Reverse		First gear	
			Second gear	
Third gear				

3) WITH TOOTH TYPE BUCKET



76072SE04

Description		Unit	Specification	
Operating weight		kg(lb)	17900	
Bucket capacity	Struck	m ³ (yd ³)	2.6(3.4)	
	Heaped		3.0(3.9)	
Overall length	A	mm(ft-in)	8180(26'10")	
Overall width	B		2950(9' 8")	
Overall height	C		3440(11' 3")	
Ground clearance	D		420(1' 5")	
Wheelbase	E		3300(10'10")	
Tread	F		2160(7' 1")	
Dump clearance at 45.	G		2870(9' 5")	
Dump reach(Full lift)	H		1270(4' 2")	
Width over tires	I		2770(9' 1")	
Dump angle	J		Degree (.)	47
Roll back angle(Carry position)	K			47
Cycle time	Lift(With load)	sec	6.2	
	Dump(With load)		1.3	
	Lower(Empty)		3.0	
Maximum travel speed		km/hr(mph)	36.4(22.7)	
Braking distance		m(ft-in)	11(36' 1")	
Minimum turning radius(Center of outside tire)			5.73(18' 9")	
Gradability		Degree (.)	30	
Travel speed	Forward	First gear	7.6(4.7)	
		Second gear	12.8(8.0)	
		Third gear	23.6(14.7)	
		Fourth gear	36.4(22.7)	
	Reverse	First gear	8.0(5.0)	
		Second gear	13.5(8.4)	
Third gear		24.7(15.4)		