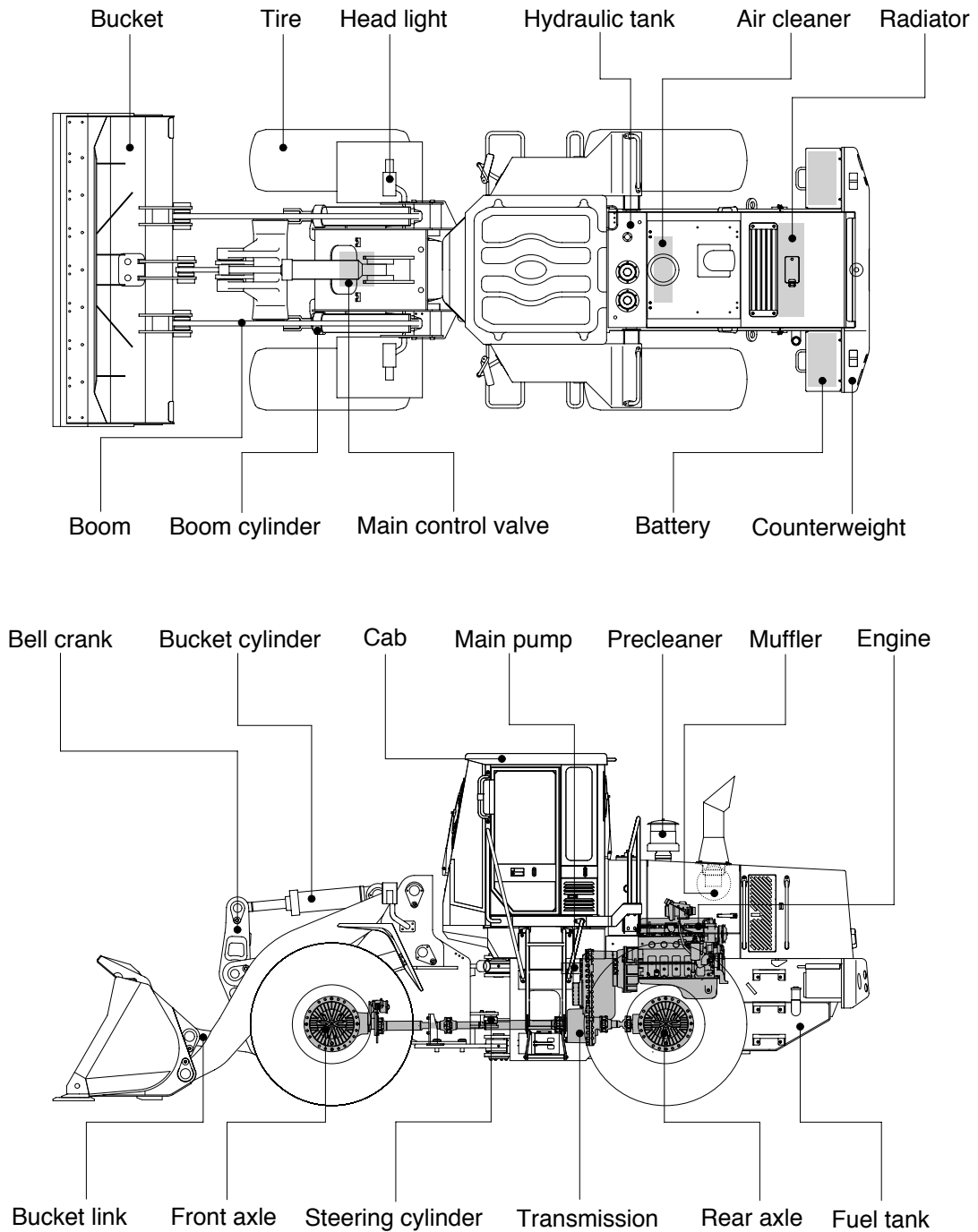


## 2. SPECIFICATIONS

### 1. MAJOR COMPONENTS



76072SE01