

## 10. STORAGE

Maintain the machine taking care of following to prevent the deterioration of machine when storing the machine for a long time, over 1 month.

### 1) CLEANING THE MACHINE

Clean the machine.  
Grease each lubrication part.

### 2) LUBRICATION POSITION OF EACH PART

Change all oil.

※ **Be particularly careful when you reuse the machine.**

As oil can be diluted during storage.

Apply an anticorrosive lubricant on the exposed part of piston rod of cylinder and in places where the machine rusts easily.

### 3) MASTER SWITCH

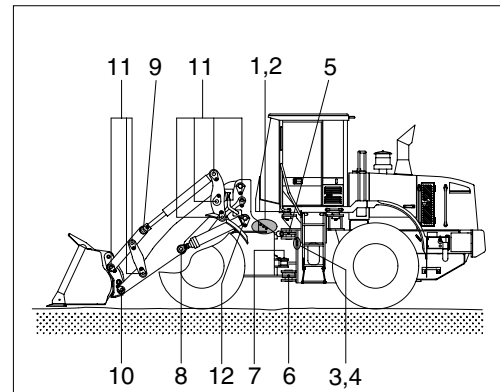
Turn OFF the master switch and store the machine.

4) Be sure to mix anticorrosive antifreezing solution in the radiator.

### 5) PREVENTION OF DUST AND MOISTURE

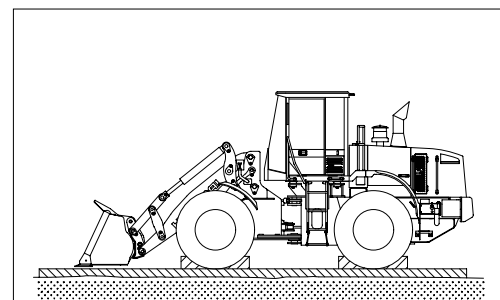
Keep machine dry. Store the machine setting wood on the ground.

- ※ **Cover exposed part of piston rod of cylinder.**
- ※ **Lower the bucket to the ground and set a support under tires.**



757TM7AOP23

- 1 Lubricating manifold(Left, 2EA)
- 2 Lubricating manifold(Right, 1EA)
- 3 Lubricating manifold(Left, 2EA)
- 4 Lubricating manifold(Right, 2EA)
- 5 Center pivot pin(Upper, 1EA)
- 6 Center pivot pin(Lower, 1EA)
- 7 Steering cylinder rod(2EA)
- 8 Boom cylinder pin(Rod side, 2EA)
- 9 Bucket cylinder pin(Rod side, 2EA)
- 10 Boom and coupler connecting pin(2EA)
- 11 Link connecting pin(14EA)
- 12 Boom cylinder pin(Frame side, 2EA)



757TM7AOP18

## 6) DURING STORAGE

Start engine and move the machine and working equipment once a month and apply lubrication to each part.

- ※ Check the level of engine oil and coolant and fill if required when starting engine.
- ※ Clean the anticorrosive on the piston rod of cylinder.
- ※ Operate the machine such as traveling, turning, and work equipment operation to make sure enough lubrication of all functional components.

