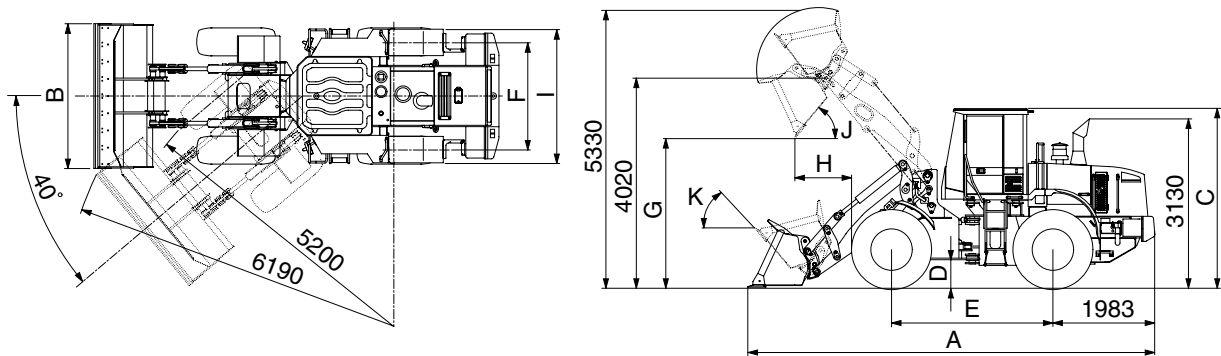


2. SPECIFICATIONS

1) WITH BOLT-ON CUTTING EDGE TYPE BUCKET



757TM7ASE03

Description		Unit	Specification	
Operating weight		kg(lb)	15000(33070)	
Bucket capacity	Struck	m ³ (yd ³)	2.1(2.7)	
	Heaped		2.5(3.3)	
Overall length	A	mm(ft-in)	7670(25' 2")	
Overall width	B		2740(9' 0")	
Overall height	C		3300(10'10")	
Ground clearance	D		410(1' 4")	
Wheelbase	E		3030(9'11")	
Tread	F		2050(6' 9")	
Dump clearance at 45°	G		2900(9' 6")	
Dump reach(Full lift)	H		1280(4' 2")	
Width over tires	I		2580(8' 6")	
Dump angle	J		Degree (°)	50
Roll back angle(Carry position)	K			54
Cycle time	Lift(With load)	sec	5.9	
	Dump(With load)		1.7	
	Lower(Empty)		3.0	
Maximum travel speed		km/hr(mph)	36.0(22.4)	
Braking distance		m(ft-in)	12(39' 4")	
Minimum turning radius(Center of outside tire)			5.2(17' 1")	
Gradability		Degree (°)	30	
Travel speed	Forward	km/hr(mph)	First gear	7.0(4.4)
			Second gear	11.5(7.2)
			Third gear	22.9(14.3)
			Fourth gear	36.0(22.4)
	Reverse		First gear	7.3(4.5)
			Second gear	12.1(7.5)
Third gear		23.9(14.9)		