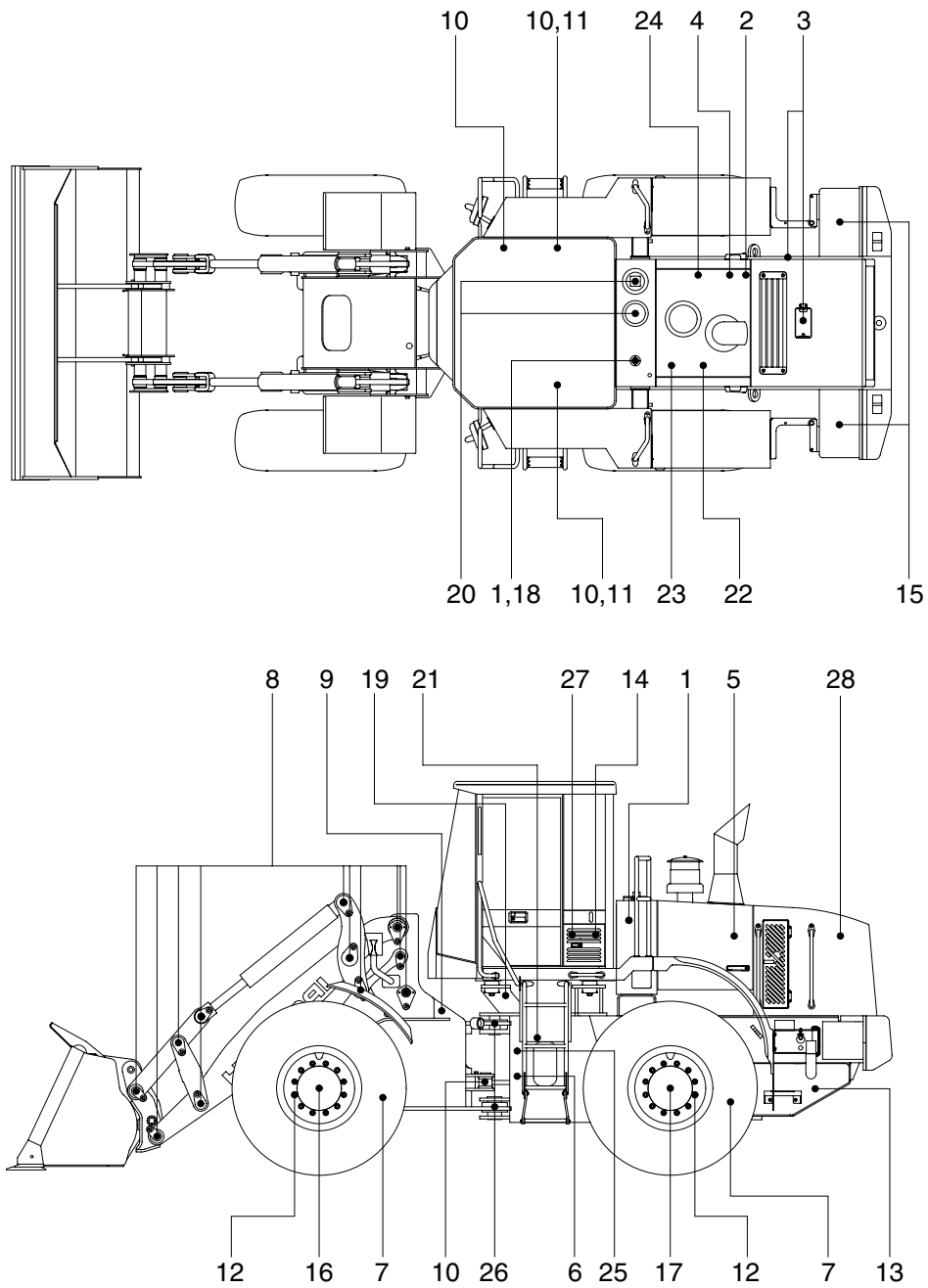


5. MAINTENANCE CHART



757TM7M123

Caution

1. Service intervals are based on the hour meter reading.
2. The number of each item shows the lubrication point on the machine.
3. Stop engine while filling oil, and use no open flames.
4. For other details, refer to the service manual.

Service interval	Item No.	Description	Service action	Oil symbol	Capacity / (U.S. gal)	Service points No.	
10 Hours or daily	1	Hydraulic oil level	Check, Add	HO	130(34.4)	1	
	2	Engine oil level	Check, Add	EO	16(4.2)	1	
	3	Radiator coolant level	Check, Add	C	35(9.2)	1	
	4	Fuel pre-filter(Water, sediment)	Drain			1	
	5	Belt tension & damage	Check, Adjust			2	
50 Hours or weekly	6	Transmission oil level	Check, Add	EO	43(11.4)	1	
	7	Tire(Air)	Check, Add			4	
	8	Attachment pins	Lubricate	PGL		22	
	9	Drive shaft(Front, center)	Lubricate	PGL		2	
	10	Steering cylinder pin	Lubricate	PGL		4	
	11	Rear axle pivot	Lubricate	PGL		2	
	12	Wheel nuts	Check, Tighten	PGL		48	
250 Hours	13	Fuel tank(Water, sediment)	Drain		295(78)	1	
	14	Cab fresh air filter(Outer filter)	Check, Clean			1	
	15	Battery(Electrolyte, voltage)	Check			2	
	16	Front axle oil level	Check, Add	GO	29(7.7)	3	
	17	Rear axle oil level	Check, Add	GO	29(7.7)	3	
	18	Hydraulic tank air breather element	Replace			1	
	19	Pilot line filter element	Replace			1	
	20	Hydraulic return oil filter	Replace			2	
	21	Brake line filter(Strainer)	Check, Clean			1	
500 Hours	2	Engine oil	Change	EO	16(4.2)	1	
	22	Engine oil filter	Replace			1	
	23	Air cleaner element(Primary)	Clean			1	
	24	Fuel filter element	Replace			1	
1000 Hours	6	Transmission oil	Change	EO	43(11.4)	1	
	25	Transmission oil filter	Replace			1	
	26	Center pivot pin	Lubricate	PGL		2	
1500 Hours	24	Front axle oil	-#0114(VOLVO)	Change	GO	29(7.7)	3
			#0115-(ZF)			29(7.7)	
	25	Rear axle oil	-#0114(VOLVO)	Change	GO	29(7.7)	3
			#0115-(ZF)			24(6.3)	
2000 Hours	1	Hydraulic oil	Change	HO	130(34.4)	1	
	3	Radiator coolant	Change	C	35(9.2)	1	
When required	12	Wheel nuts	Check, Tighten			48	
	14	Cab fresh air filter(Outer filter)	Replace			1	
	23	Air cleaner element(Primary, safety)	Clean, Replace			2	
	27	Cab fresh air filter(Inner filter)	Clean, Replace			1	
	28	Radiator, Oil cooler, Charge air cooler	Check, Clean			3	

※ Oil symbol

Refer the recommended lubricants for specification.

- EO : Engine oil
- HO : Hydraulic oil
- GO : Gear oil
- PGL : Grease
- C : Coolant