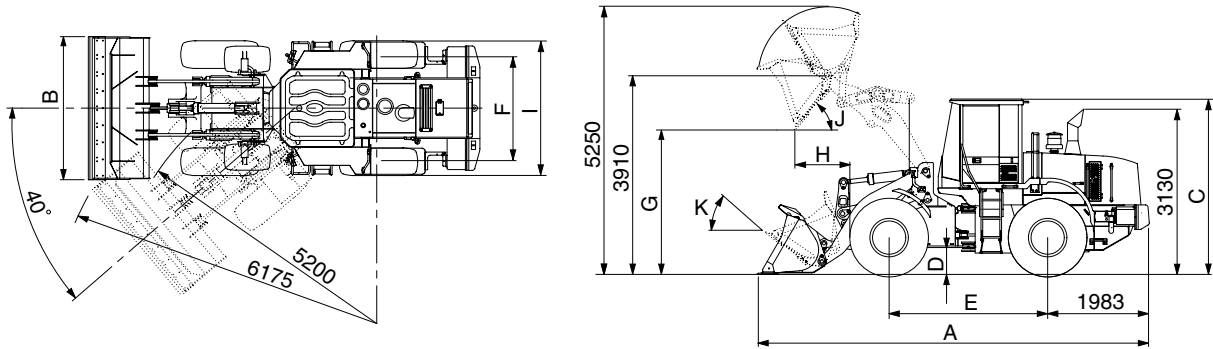


## 2. SPECIFICATIONS

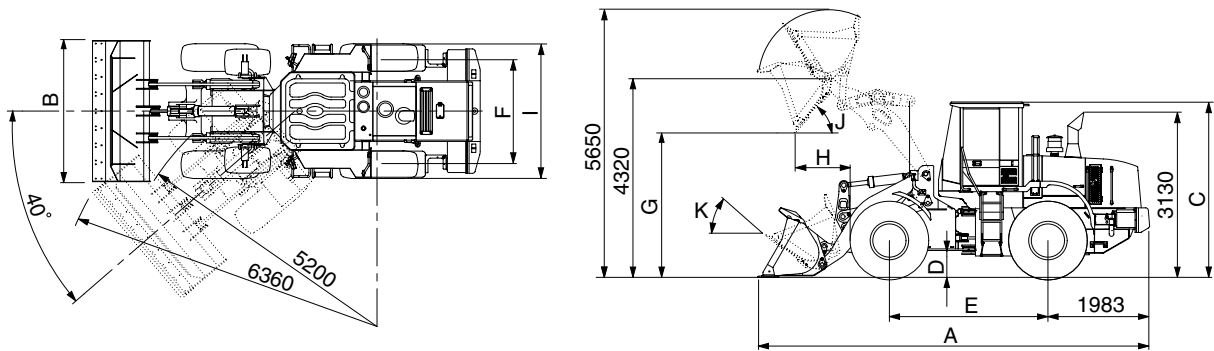
### 1) WITH BOLT-ON CUTTING EDGE TYPE BUCKET(HL757-7A)



7577A2SE03

Description		Unit	Specification	
Operating weight		kg(lb)	14500(31970)	
Bucket capacity	Struck	m <sup>3</sup> (yd <sup>3</sup> )	2.3(3.0)	
	Heaped		2.7(3.5)	
Overall length	A	mm(ft-in)	7450(24' 5")	
Overall width	B		2740( 9' 0")	
Overall height	C		3300(10'10")	
Ground clearance	D		410( 1' 4")	
Wheelbase	E		3030( 9'11")	
Tread	F		2050( 6' 9")	
Dump clearance at 45°	G		2860( 9' 5")	
Dump reach(Full lift)	H		1040( 3' 4")	
Width over tires	I		2580( 8' 6")	
Dump angle	J		Degree (°)	47
Roll back angle(Carry position)	K			46
Cycle time	Lift(With load)	sec	5.9	
	Dump(With load)		1.2	
	Lower(Empty)		3.0	
Maximum travel speed		km/hr(mph)	36.0(22.4)	
Braking distance		m(ft-in)	12(39' 4")	
Minimum turning radius(Center of outside tire)			5.2(17' 1")	
Gradability		Degree (°)	30	
Travel speed	Forward	First gear	7.0(4.4)	
		Second gear	11.5(7.2)	
		Third gear	22.9(14.3)	
		Fourth gear	36.0(22.4)	
	Reverse	First gear	7.3(4.5)	
		Second gear	12.1(7.5)	
Third gear		23.9(14.9)		

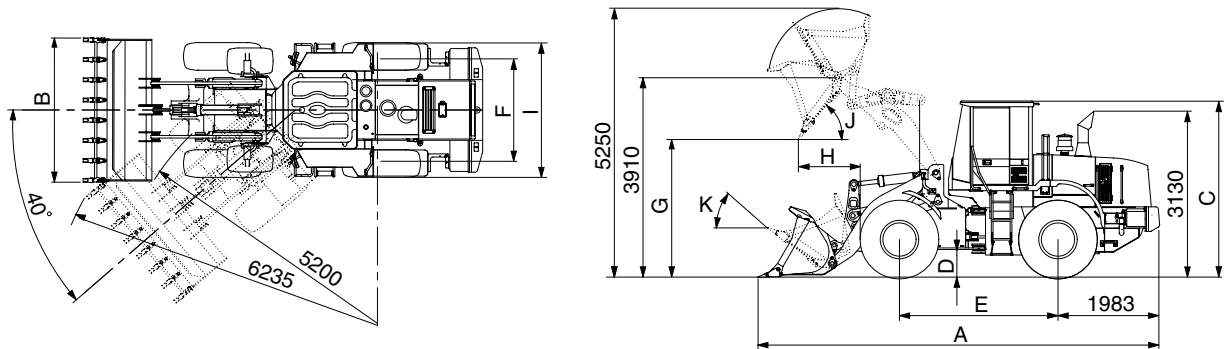
WITH BOLT-ON CUTTING EDGE TYPE BUCKET(HL757XTD-7A)



7577A2SE02

Description		Unit	Specification	
Operating weight		kg(lb)	15000(33070)	
Bucket capacity	Struck	m <sup>3</sup> (yd <sup>3</sup> )	2.3(3.0)	
	Heaped		2.7(3.5)	
Overall length	A	mm(ft-in)	7880(25'10")	
Overall width	B		2740( 9' 0")	
Overall height	C		3300(10'10")	
Ground clearance	D		410( 1' 4")	
Wheelbase	E		3030( 9'11")	
Tread	F		2050( 6' 9")	
Dump clearance at 45°	G		3270(10' 9")	
Dump reach(Full lift)	H		1060( 3' 6")	
Width over tires	I		2580( 8' 6")	
Dump angle	J		Degree (°)	47
Roll back angle(Carry position)	K			48
Cycle time	Lift(With load)	sec	5.9	
	Dump(With load)		1.2	
	Lower(Empty)		3.0	
Maximum travel speed		km/hr(mph)	36.0(22.4)	
Braking distance		m(ft-in)	12(39' 4")	
Minimum turning radius(Center of outside tire)			5.2(17' 1")	
Gradability		Degree (°)	30	
Travel speed	Forward	km/hr(mph)	First gear	7.0(4.4)
			Second gear	11.5(7.2)
			Third gear	22.9(14.3)
			Fourth gear	36.0(22.4)
	Reverse		First gear	7.3(4.5)
			Second gear	12.1(7.5)
Third gear		23.9(14.9)		

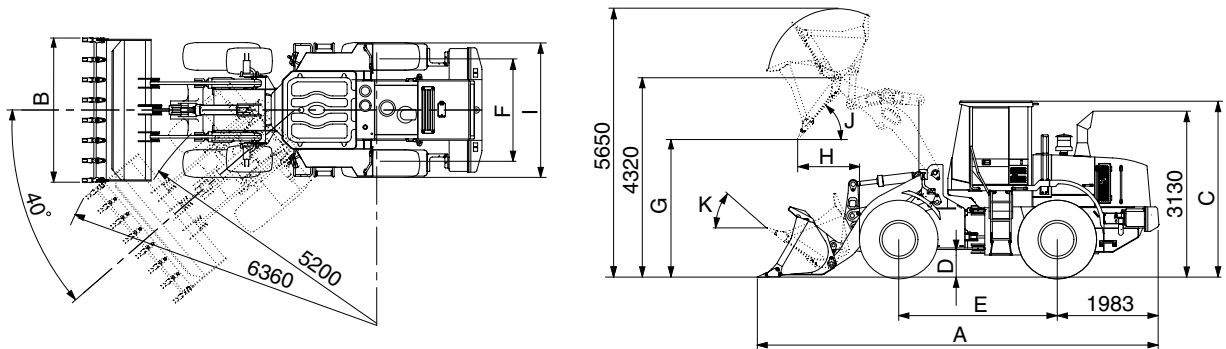
## 2) WITH TOOTH TYPE BUCKET(HL757-7A)



7577A2SE04

Description		Unit	Specification	
Operating weight		kg(lb)	14500(31970)	
Bucket capacity	Struck	m <sup>3</sup> (yd <sup>3</sup> )	2.3(3.0)	
	Heaped		2.6(3.4)	
Overall length	A	mm(ft-in)	7550(24' 9")	
Overall width	B		2790( 9' 2")	
Overall height	C		3300(10'10")	
Ground clearance	D		410( 1' 4")	
Wheelbase	E		3030( 9'11")	
Tread	F		2050( 6' 9")	
Dump clearance at 45°	G		2770( 9' 1")	
Dump reach(Full lift)	H		1140( 3' 9")	
Width over tires	I		2580( 8' 6")	
Dump angle	J		Degree (°)	47
Roll back angle(Carry position)	K			46
Cycle time	Lift(With load)		sec	5.9
	Dump(With load)			1.2
	Lower(Empty)	3.0		
Maximum travel speed		km/hr(mph)	36.0(22.4)	
Braking distance		m(ft-in)	12(39' 4")	
Minimum turning radius(Center of outside tire)			5.2(17' 1")	
Gradability		Degree (°)	30	
Travel speed	Forward	First gear	7.0(4.4)	
		Second gear	11.5(7.2)	
		Third gear	22.9(14.3)	
		Fourth gear	36.0(22.4)	
	Reverse	First gear	7.3(4.5)	
		Second gear	12.1(7.5)	
Third gear		23.9(14.9)		

**WITH TOOTH TYPE BUCKET(HL757XTD-7A)**



7577A2SE05

Description		Unit	Specification	
Operating weight		kg(lb)	15000(33070)	
Bucket capacity	Struck	m <sup>3</sup> (yd <sup>3</sup> )	2.3(3.0)	
	Heaped		2.6(3.4)	
Overall length	A	mm(ft-in)	7880(25'10")	
Overall width	B		2790( 9' 2")	
Overall height	C		3300(10'10")	
Ground clearance	D		410( 1' 4")	
Wheelbase	E		3030( 9'11")	
Tread	F		2050( 6' 9")	
Dump clearance at 45°	G		2930( 9' 7")	
Dump reach(Full lift)	H		1060( 3' 6")	
Width over tires	I		2580( 8' 6")	
Dump angle	J		Degree (°)	47
Roll back angle(Carry position)	K			48
Cycle time	Lift(With load)	sec	5.9	
	Dump(With load)		1.2	
	Lower(Empty)		3.0	
Maximum travel speed		km/hr(mph)	36.0(22.4)	
Braking distance		m(ft-in)	12(39' 4")	
Minimum turning radius(Center of outside tire)			5.2(17' 1")	
Gradability		Degree (°)	30	
Travel speed	Forward	First gear	7.0(4.4)	
		Second gear	11.5(7.2)	
		Third gear	22.9(14.3)	
		Fourth gear	36.0(22.4)	
	Reverse	First gear	7.3(4.5)	
		Second gear	12.1(7.5)	
Third gear		23.9(14.9)		