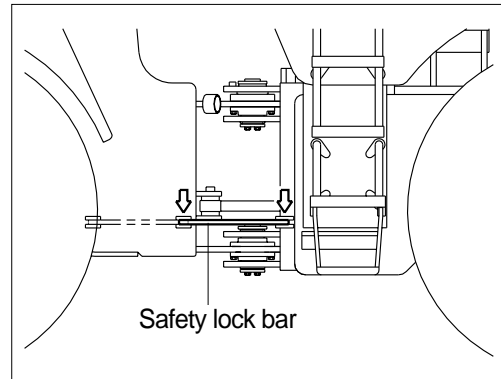
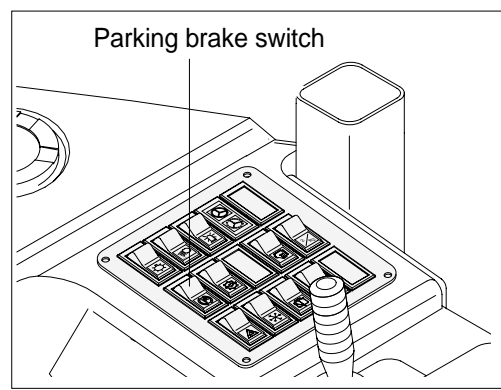


4. FIXING THE MACHINE

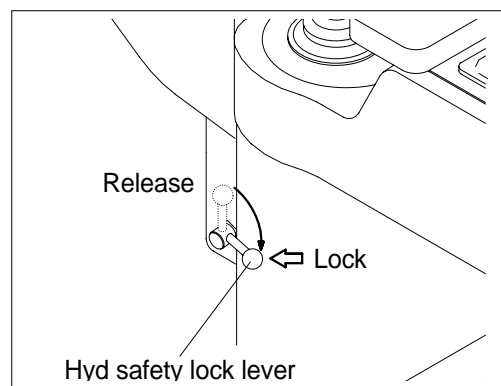
- 1) Fix front and rear frame by linking safety lock bar.



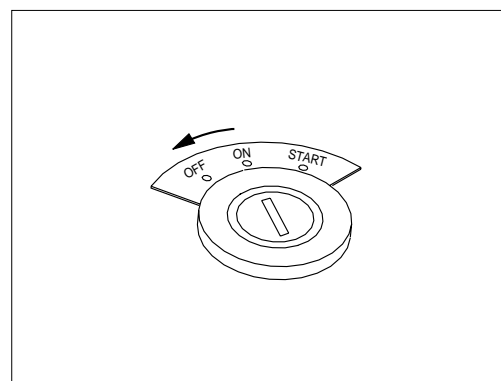
- 2) Press the parking brake switch.



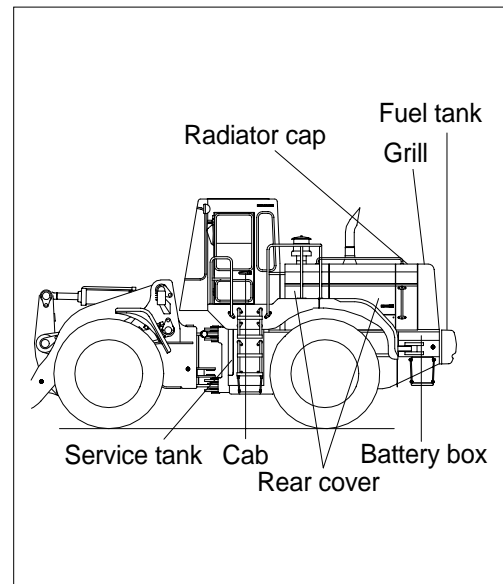
- 3) Put the hydraulic safety lock lever in the Lock position to prevent the hydraulic system from operating.



- 4) Stop the engine, turn the starting switch off and remove the key.



5) Secure all locks.



6) Block the tires and fix firmly with wire rope or chain to prevent the machine from moving during transportation.

