

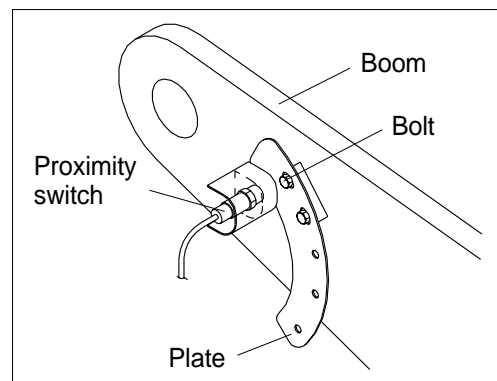
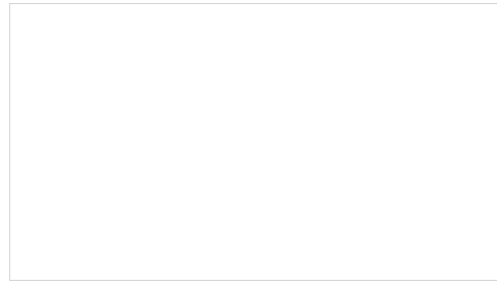
8. ADJUSTMENT OF THE WORK EQUIPMENT

The bucket can be adjusted to a height desired by using the boom kick-out device.

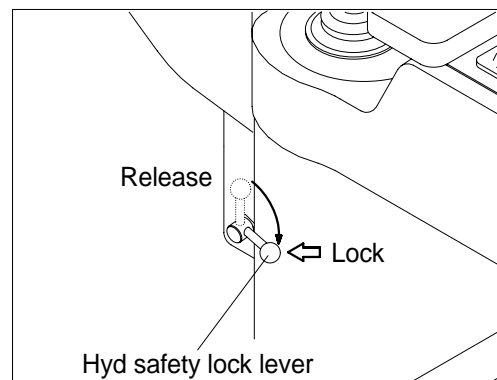
- ▲ Park the machine on level ground and block the tires.
- ▲ Press the parking brake switch.
- ▲ Fix the front and rear frames by using the safety lock bar.
- ▲ Do not work underneath the work equipment.

1) ADJUSTMENT OF THE BOOM KICK OUT

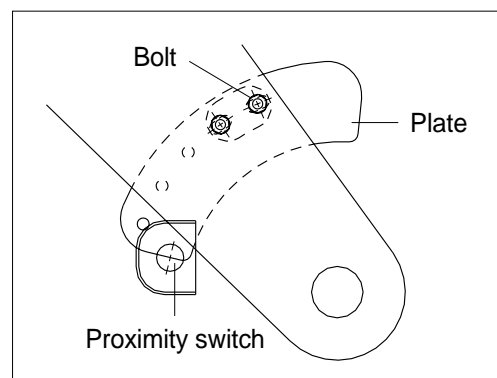
- (1) Lift the boom up to a desired height, set the boom control lever at hold, then stop the engine.
- ▲ Be careful lest work equipment fall down.



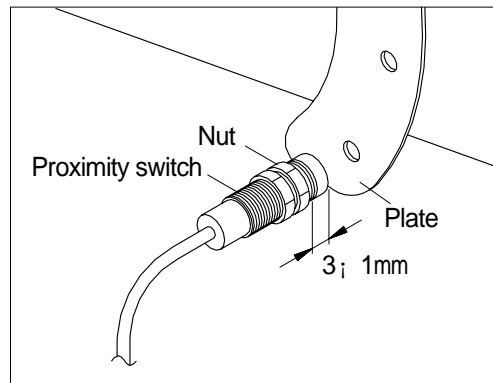
- (3) Put the hydraulic safety lock lever in the LOCK position.



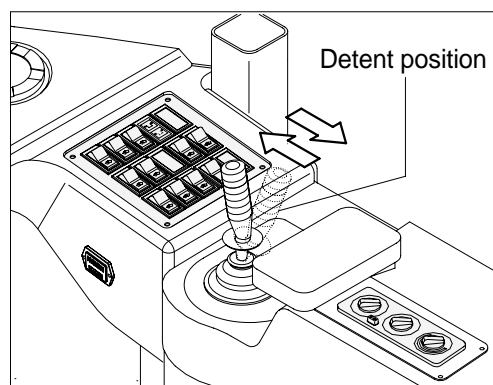
- (4) Loosen bolt then tighten them after adjusting the plate(A) so that it comes in contact with the center of the probe of the proximity switch.



- (5) Loosen the nuts so that a clearance between the plate(B) and the probe of the proximity switch are 3; 1mm.



- (6) After adjusting the boom in the boom kick out position, start the engine. Then lift the bucket to a desired height by using the control lever. Confirm the lever automatically returns to the detent position.



2) BUCKET LEVELER

- (1) The excavation angle of this machine is set to be in parallel to the surface.

