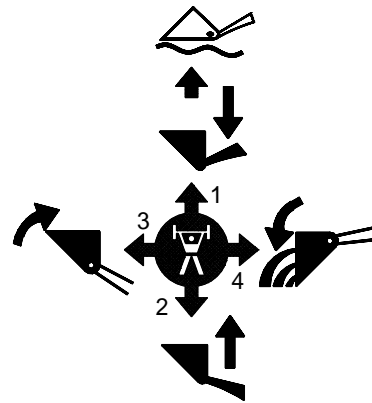
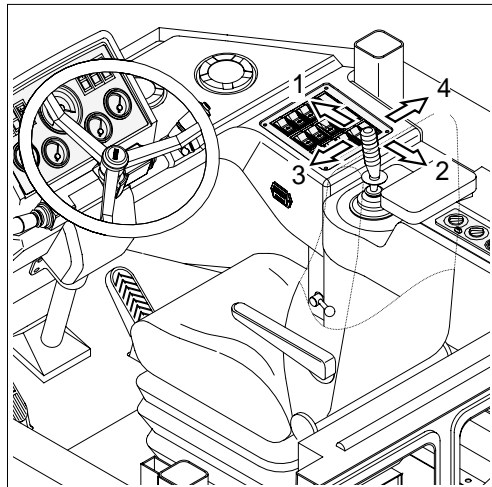


5. OPERATION OF THE WORKING DEVICE

i **Confirm the operation of control lever and working device.**

- 1) Control lever operates the boom and the bucket.
- 2) When you release the control lever, control lever returns to neutral position automatically.
- 3) When the control lever operates to the position of boom float, boom kick out and bucket leveler ; these function is completed, then the control lever returns to the neutral position.



i **Control lever**

- 1 Boom lower(Boom float)
- 2 Boom raise(Boom kick out)
- 3 Bucket roll back(Bucket leveler)
- 4 Bucket dump

