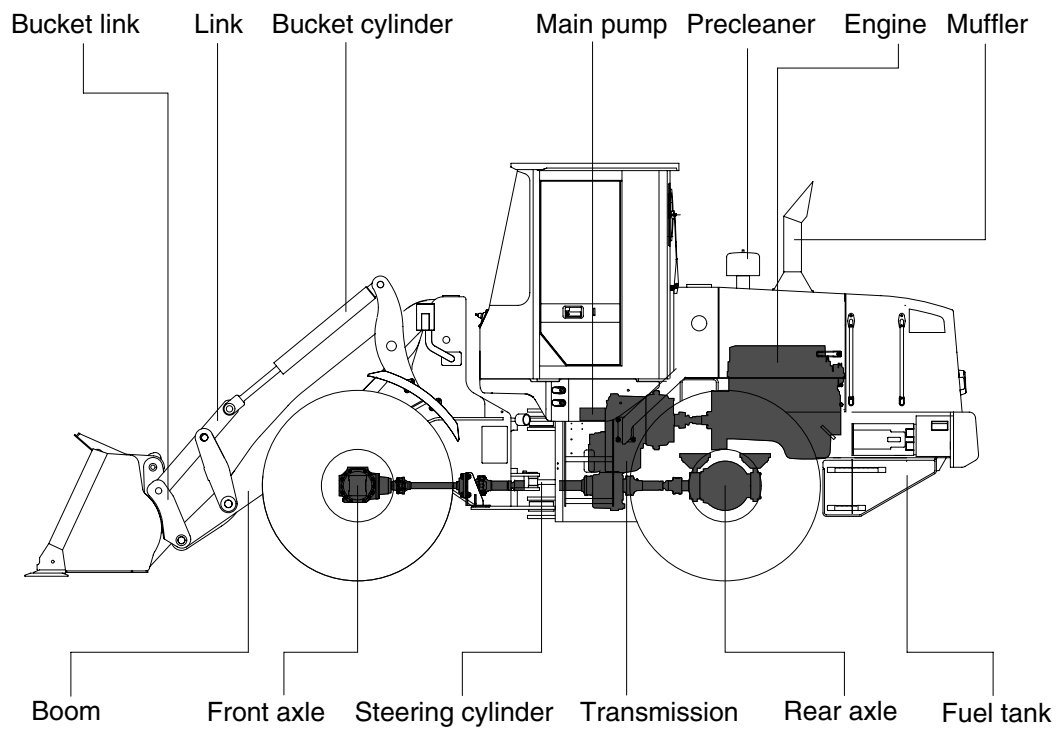
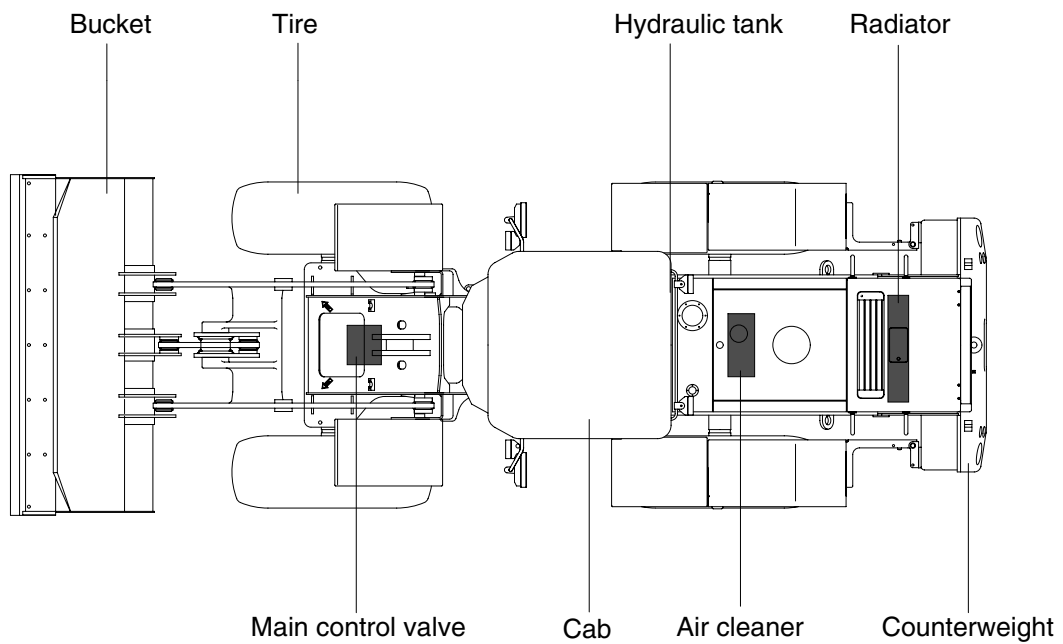


2. SPECIFICATIONS

1. MAJOR COMPONENTS



740TM7A2SP01