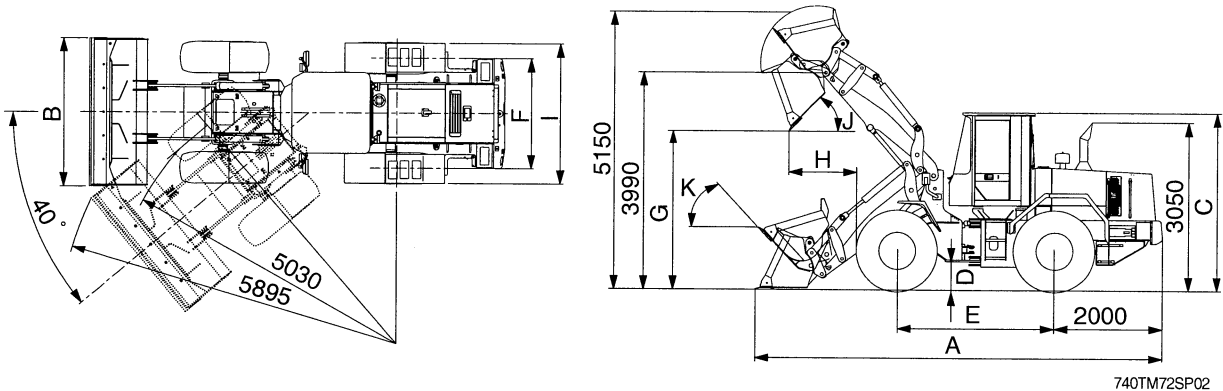


2. SPECIFICATIONS

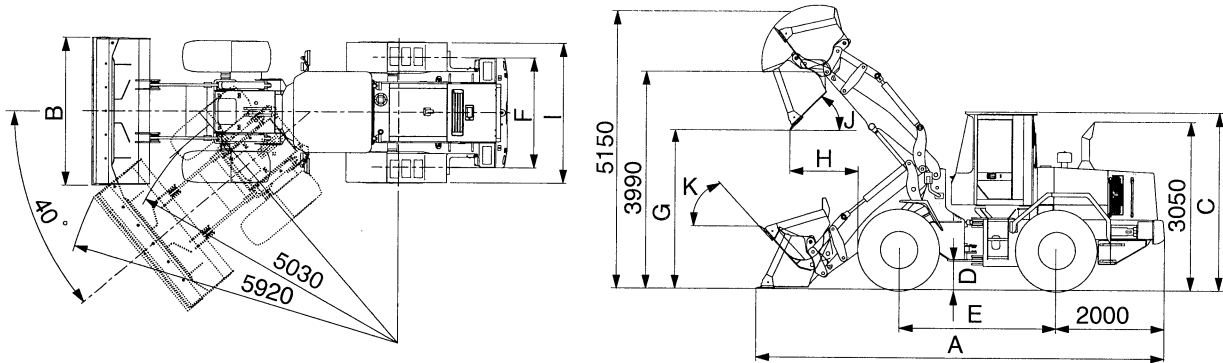
1) WITHOUT TOOTH AND CUTTING EDGE TYPE BUCKET



740TM72SP02

Description		Unit	Specification
Operating weight		kg(lb)	12050(26570)
Bucket capacity	Struck	m ³ (yd ³)	1.6(2.1)
	Heaped		1.9(2.5)
Overall length	A	mm(ft-in)	7460(24' 6")
Overall width	B		2550(8' 4")
Overall height	C		3260(10' 8")
Ground clearance	D		417(1' 4")
Wheelbase	E		2900(9' 6")
Tread	F		1900(6' 3")
Dump clearance at 45°	G		2972(9' 9")
Dump reach(Full lift)	H		991(3' 3")
Width over tires	I		2430(8' 0")
Dump angle	J		Degree (°)
Roll back angle(Carry position)	K	54	
Cycle time	Lift(With load)	sec	5.5
	Dump(With load)		1.4
	Lower(Empty)		2.7
Maximum travel speed		km/hr(mph)	38.2(23.8)
Braking distance		m(ft-in)	12(39' 4")
Minimum turning radius(Center of outside tire)			5.03(16' 6")
Gradability		Degree (°)	30
Travel speed	Forward	First gear	6.9(4.3)
		Second gear	12.6(7.9)
		Third gear	24.0(15.0)
		Fourth gear	38.2(23.8)
	Reverse	First gear	7.3(4.5)
		Second gear	13.3(8.3)
Third gear		25.3(15.8)	

2) WITH BOLT-ON CUTTING EDGE TYPE BUCKET



740TM72SP03

Description		Unit	Specification	
Operating weight		kg(lb)	12050(26570)	
Bucket capacity	Struck	m ³ (yd ³)	1.7(2.2)	
	Heaped		2.0(2.6)	
Overall length	A	mm(ft-in)	7550(24' 9")	
Overall width	B		2550(8' 4")	
Overall height	C		3260(10' 8")	
Ground clearance	D		417(1' 4")	
Wheelbase	E		2900(9' 6")	
Tread	F		1900(6' 3")	
Dump clearance at 45°	G		2915(9' 7")	
Dump reach(Full lift)	H		1275(4' 2")	
Width over tires	I		2430(8' 0")	
Dump angle	J		Degree (°)	50
Roll back angle(Carry position)	K			54
Cycle time	Lift(With load)	sec	5.5	
	Dump(With load)		1.4	
	Lower(Empty)		2.7	
Maximum travel speed		km/hr(mph)	38.2(23.8)	
Braking distance		m(ft-in)	12(39' 4")	
Minimum turning radius(Center of outside tire)			5.03(16' 6")	
Gradability		Degree (°)	30	
Travel speed	Forward	First gear	6.9(4.3)	
		Second gear	12.6(7.9)	
		Third gear	24.0(15.0)	
		Fourth gear	38.2(23.8)	
	Reverse	First gear	7.3(4.5)	
		Second gear	13.3(8.3)	
Third gear		25.3(15.8)		