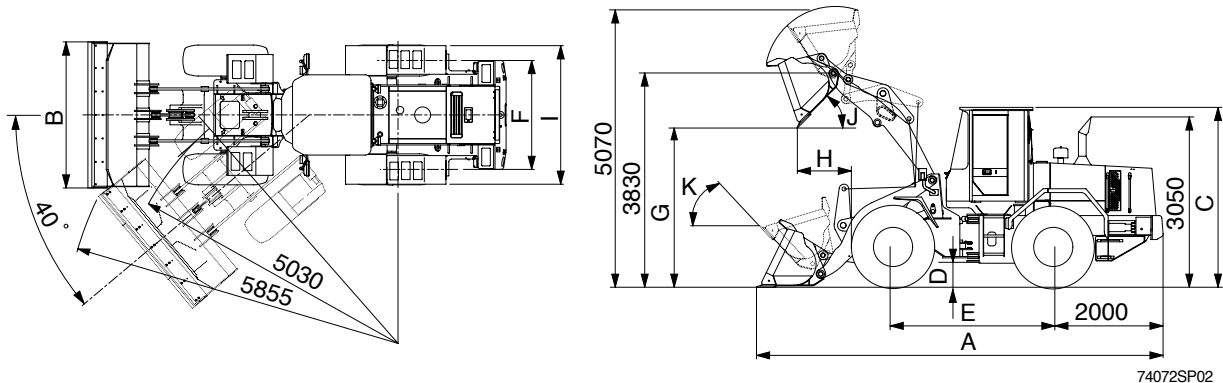


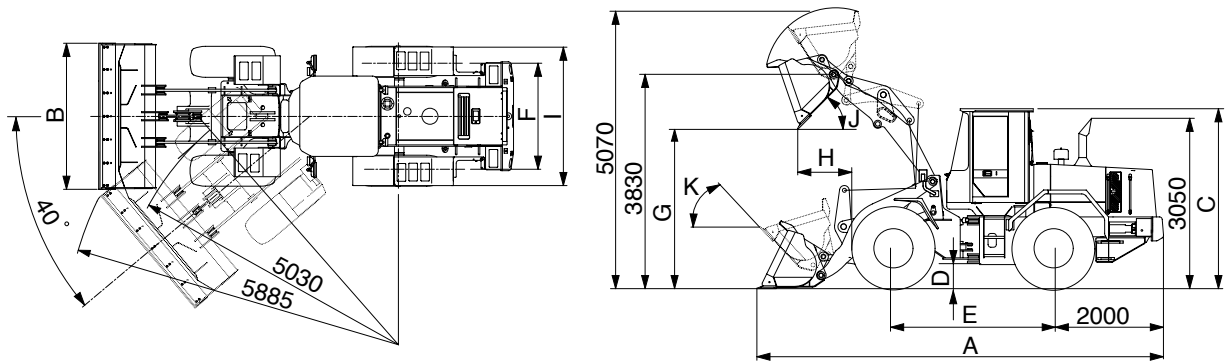
2. SPECIFICATIONS

1) WITHOUT TOOTH AND CUTTING EDGE TYPE BUCKET



Description		Unit	Specification	
Operating weight		kg(lb)	11500(25350)	
Bucket capacity	Struck	m ³ (yd ³)	1.7(2.2)	
	Heaped		2.0(2.6)	
Overall length	A	mm(ft-in)	7180(23' 7")	
Overall width	B		2550(8' 4")	
Overall height	C		3260(10' 8")	
Ground clearance	D		417(1' 4")	
Wheelbase	E		2900(9' 6")	
Tread	F		1900(6' 3")	
Dump clearance at 45°	G		2920(9' 7")	
Dump reach(Full lift)	H		935(3' 1")	
Width over tires	I		2430(8' 0")	
Dump angle	J		Degree (°)	48
Roll back angle(Carry position)	K			47
Cycle time	Lift(With load)	sec	5.5	
	Dump(With load)		1.2	
	Lower(Empty)		2.8	
Maximum travel speed		km/hr(mph)	38.2(23.8)	
Braking distance		m(ft-in)	12(39' 4")	
Minimum turning radius(Center of outside tire)			5.03(16' 6")	
Gradability		Degree (°)	30	
Travel speed	Forward	First gear	6.9(4.3)	
		Second gear	12.6(7.9)	
		Third gear	24.0(15.0)	
		Fourth gear	38.2(23.8)	
	Reverse	First gear	7.3(4.5)	
		Second gear	13.3(8.3)	
Third gear		25.3(15.8)		

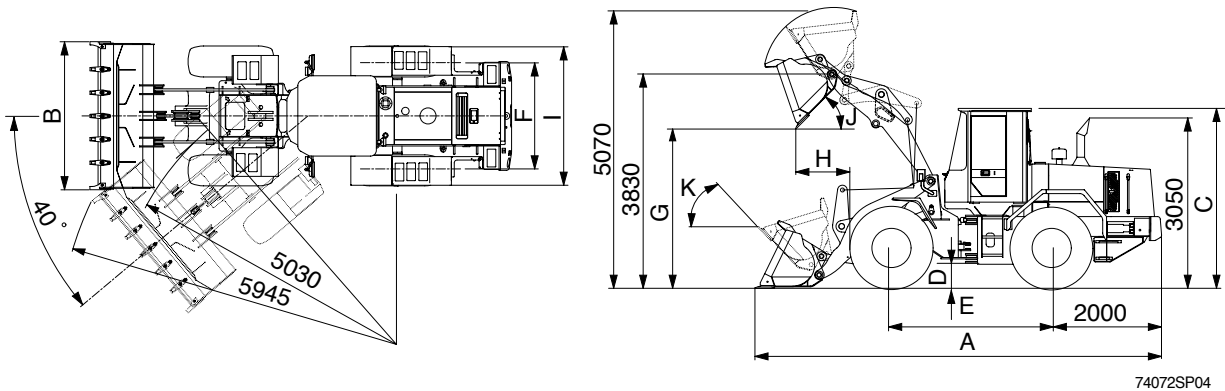
2) WITH BOLT-ON CUTTING EDGE TYPE BUCKET



74072SP03

Description		Unit	Specification	
Operating weight		kg(lb)	11500(25350)	
Bucket capacity	Struck	m ³ (yd ³)	1.78(2.3)	
	Heaped		2.1(2.7)	
Overall length	A	mm(ft-in)	7270(23'10")	
Overall width	B		2550(8' 4")	
Overall height	C		3260(10' 8")	
Ground clearance	D		417(1' 4")	
Wheelbase	E		2900(9' 6")	
Tread	F		1900(6' 3")	
Dump clearance at 45.	G		2850(9' 4")	
Dump reach(Full lift)	H		970(3' 2")	
Width over tires	I		2430(8' 0")	
Dump angle	J		Degree (°)	48
Roll back angle(Carry position)	K			47
Cycle time	Lift(With load)	sec	5.5	
	Dump(With load)		1.2	
	Lower(Empty)		2.8	
Maximum travel speed		km/hr(mph)	38.2(23.8)	
Braking distance		m(ft-in)	12(39' 4")	
Minimum turning radius(Center of outside tire)			5.03(16' 6")	
Gradability		Degree (°)	30	
Travel speed	Forward	km/hr(mph)	First gear	6.9(4.3)
			Second gear	12.6(7.9)
			Third gear	24.0(15.0)
			Fourth gear	38.2(23.8)
	Reverse		First gear	7.3(4.5)
			Second gear	13.3(8.3)
Third gear		25.3(15.8)		

3) WITH TOOTH TYPE BUCKET



74072SP04

Description		Unit	Specification	
Operating weight		kg(lb)	11500(25350)	
Bucket capacity	Struck	m ³ (yd ³)	1.7(2.2)	
	Heaped		2.0(2.6)	
Overall length	A	mm(ft-in)	7370(24' 2")	
Overall width	B		2600(8' 6")	
Overall height	C		3260(10' 8")	
Ground clearance	D		417(1' 4")	
Wheelbase	E		2900(9' 6")	
Tread	F		1900(6' 3")	
Dump clearance at 45.	G		2770(9'11")	
Dump reach(Full lift)	H		1035(3' 5")	
Width over tires	I		2430(8' 0")	
Dump angle	J		Degree (.)	48
Roll back angle(Carry position)	K			47
Cycle time	Lift(With load)	sec	5.5	
	Dump(With load)		1.2	
	Lower(Empty)		2.8	
Maximum travel speed		km/hr(mph)	38.2(23.8)	
Braking distance		m(ft-in)	12(39' 4")	
Minimum turning radius(Center of outside tire)			5.03(16' 6")	
Gradability		Degree (.)	30	
Travel speed	Forward	First gear	6.9(4.3)	
		Second gear	12.6(7.9)	
		Third gear	24.0(15.0)	
		Fourth gear	38.2(23.8)	
	Reverse	First gear	7.3(4.5)	
		Second gear	13.3(8.3)	
Third gear		25.3(15.8)		