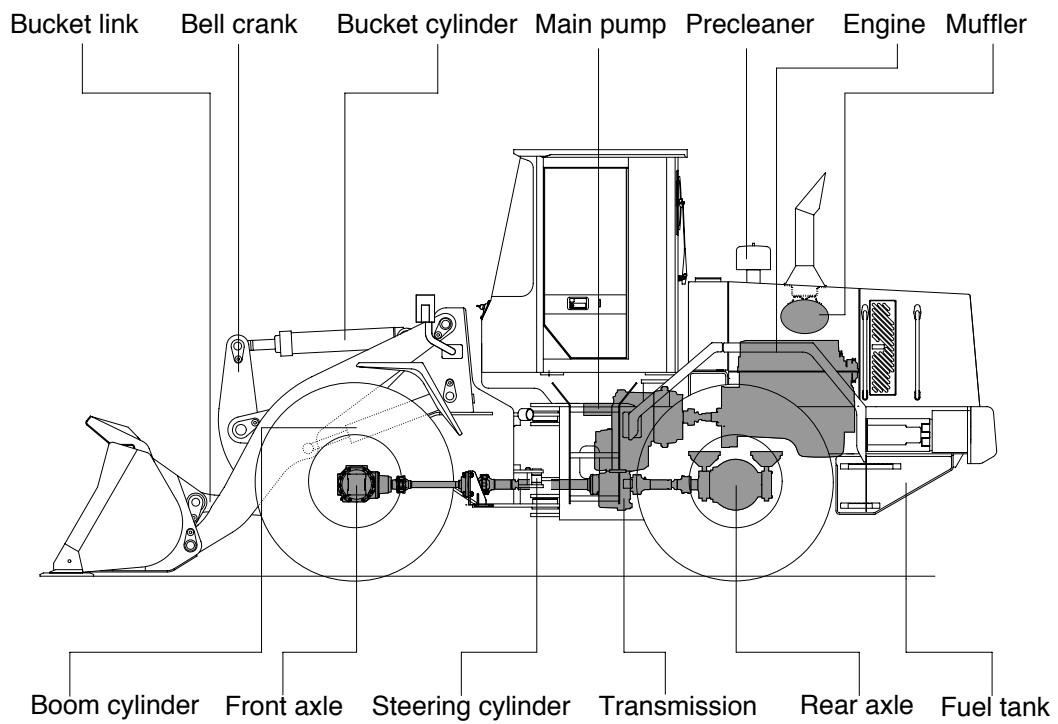
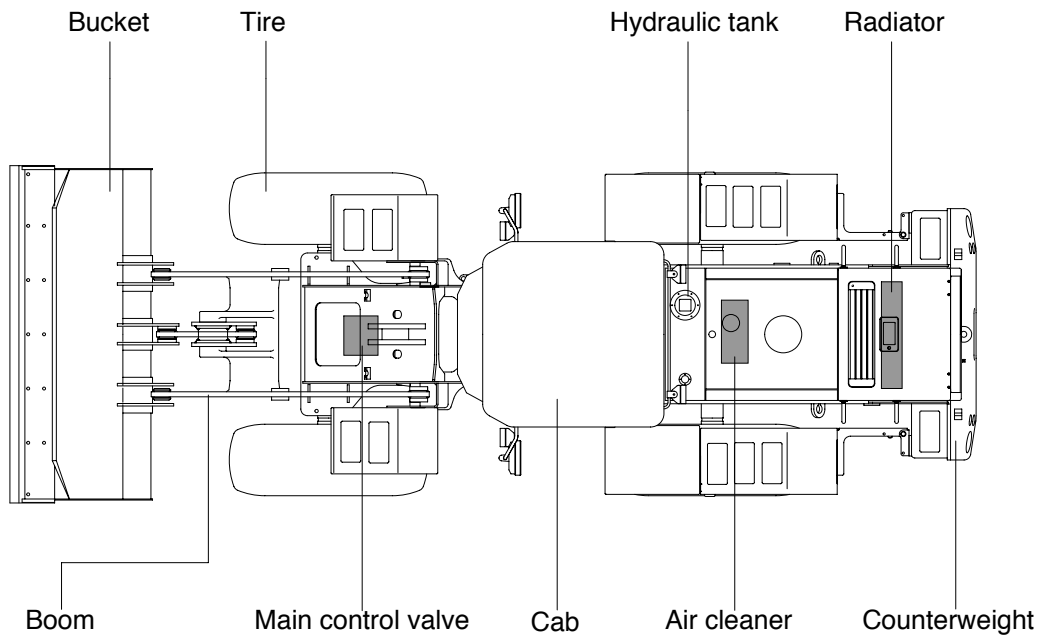


2. SPECIFICATIONS

1. MAJOR COMPONENTS



74072SP01