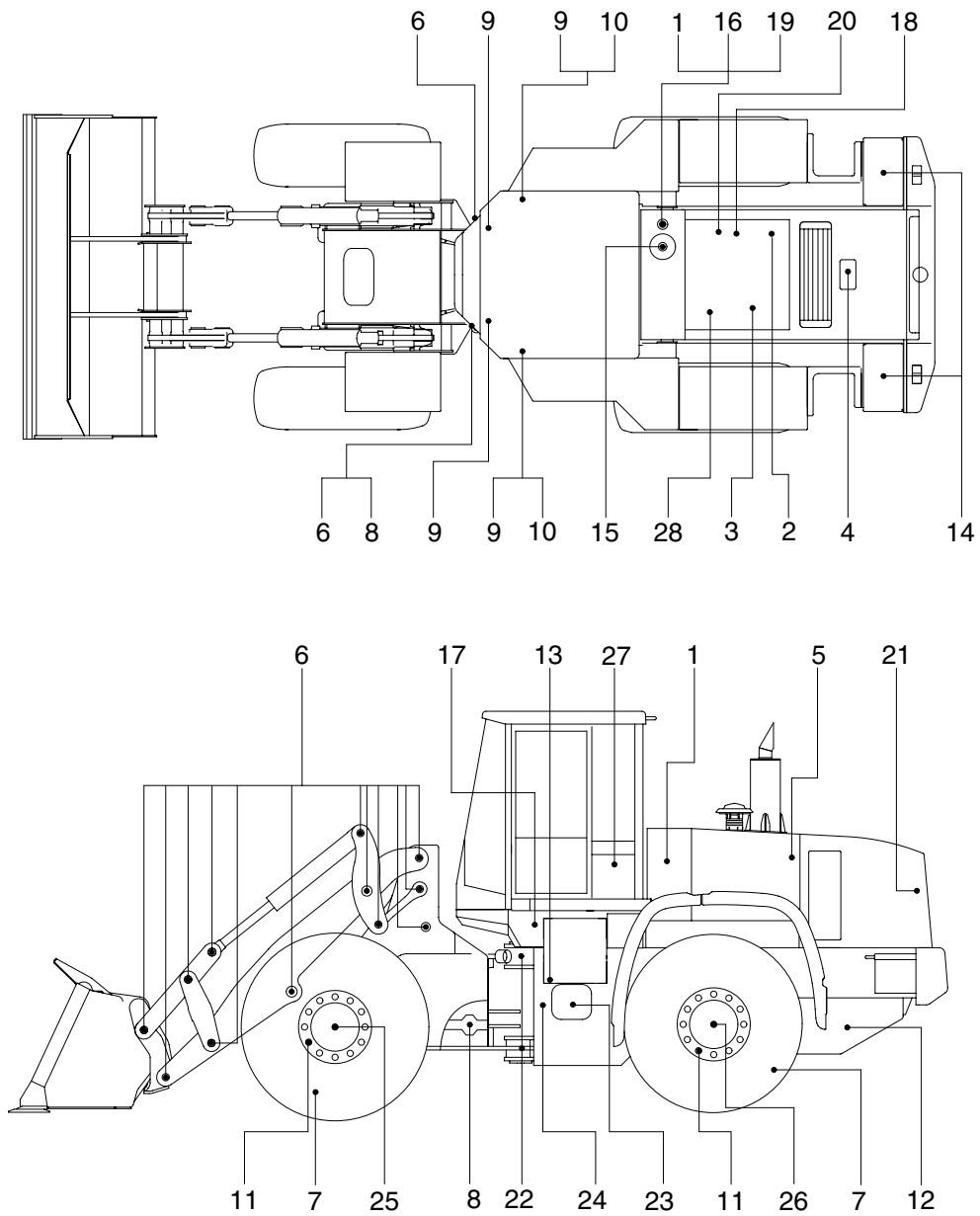


## 5. MAINTENANCE CHART



730TM96M110

### Caution

1. Service intervals are based on the hour meter reading.
2. The number of each item shows the lubrication point on the machine.
3. Stop engine while filling oil, and use no open flames.
4. For other details, refer to the service manual.

| Service interval   | No. | Description                              | Service action | Oil symbol | Capacity l (U.S.gal) | Service points No. |
|--------------------|-----|--|----------------|------------|----------------------|--------------------|
| 10 Hours or daily  | 1   | Hydraulic oil level                      | Check, Add     | HO         | 121 (32)             | 1                  |
|                    | 2   | Engine oil level                         | Check, Add     | EO         | 11 (2.9)             | 1                  |
|                    | 4   | Radiator coolant level                   | Check, Add     | C          | 30 (7.9)             | 1                  |
|                    | 5   | Fan belt tension & damage                | Check, Adjust  | -          | -                    | 2                  |
|                    | 20  | Fuel pre-filter                          | Clean          | -          | -                    | 1                  |
| 50 Hours or weekly | 6   | Attachment pins                          | Lubricate      | PGL        | -                    | 24                 |
|                    | 7   | Tire (air)                               | Check, Add     | -          | -                    | 4                  |
|                    | 8   | Drive shaft (front, center)              | Lubricate      | PGL        | -                    | 2                  |
|                    | 9   | Steering cylinder pin                    | Lubricate      | PGL        | -                    | 4                  |
|                    | 10  | Rear axle pivot                          | Lubricate      | PGL        | -                    | 2                  |
| 250 Hours          | 11  | Wheel nuts                               | Check, Tight   | -          | -                    | 48                 |
|                    | 12  | Fuel tank (water, sediment)              | Drain          | -          | 218 (57.6)           | 1                  |
|                    | 14  | Battery (voltage)                        | Check, Add     | -          | -                    | 2                  |
|                    | 16  | Hydraulic tank air breather element      | Replace        | -          | -                    | 1                  |
|                    | 27  | Air conditioner and heater outer filter  | Check, Clean   | -          | -                    | 1                  |
| 500 Hours          | 2   | Engine oil                               | Change         | EO         | 11 (2.9)             | 1                  |
|                    | 3   | Engine oil filter                        | Replace        | -          | -                    | 1                  |
|                    | 18  | Fuel filter element                      | Replace        | -          | -                    | 1                  |
|                    | 20  | Fuel pre-filter element                  | Replace        | -          | -                    | 1                  |
|                    | 21  | Radiator, oil cooler, charge air cooler  | Clean          | -          | -                    | 3                  |
|                    | 28  | Air cleaner element (primary)            | Clean          | -          | -                    | 1                  |
| 1000 Hours         | 13  | Brake pressure filter element            | Replace        | -          | -                    | 1                  |
|                    | 15  | Hydraulic oil return filter              | Replace        | -          | -                    | 1                  |
|                    | 17  | Pilot line filter element                | Replace        | -          | -                    | 1                  |
|                    | 22  | Center pivot pin                         | Lubricate      | PGL        | -                    | 2                  |
|                    | 23  | Transmission oil                         | Change         | EO         | 20 (5.3)             | 1                  |
|                    | 24  | Transmission oil filter                  | Replace        | -          | -                    | 1                  |
|                    | 25  | Axle oil (front)                         | Change         | GO         | 17.7 (4.7)           | 3                  |
|                    | 26  | Axle oil (rear)                          | Change         | GO         | 17.7 (4.7)           | 3                  |
| 2000 Hours         | 1   | Hydraulic oil *1                         | Change         | HO         | 121 (32)             | 1                  |
|                    | 4   | Radiator coolant                         | Change         | C          | 30 (7.9)             | 1                  |
|                    | 19  | Hydraulic oil suction strainer           | Check, Clean   | -          | -                    | 1                  |
| 5000 Hours         | 1   | Hydraulic oil *2                         | Change         | HO         | 121 (32)             | 1                  |
| When required      | 27  | Air conditioner and heater outer filter  | Replace        | -          | -                    | 1                  |
|                    |     | Air conditioner and heater inner filter  | Clean, Replace | -          | -                    | 1                  |
|                    | 28  | Air cleaner element (safety and primary) | Clean, Replace | -          | -                    | 2                  |

\*1 Conventional hydraulic oil    \*2 Hyundai genuine long life hydraulic oil

※ **Oil symbol**

Refer the recommended lubricants for specification.

- EO : Engine oil
- HO : Hydraulic oil
- GO : Gear oil
- PGL : Grease
- C : Coolant