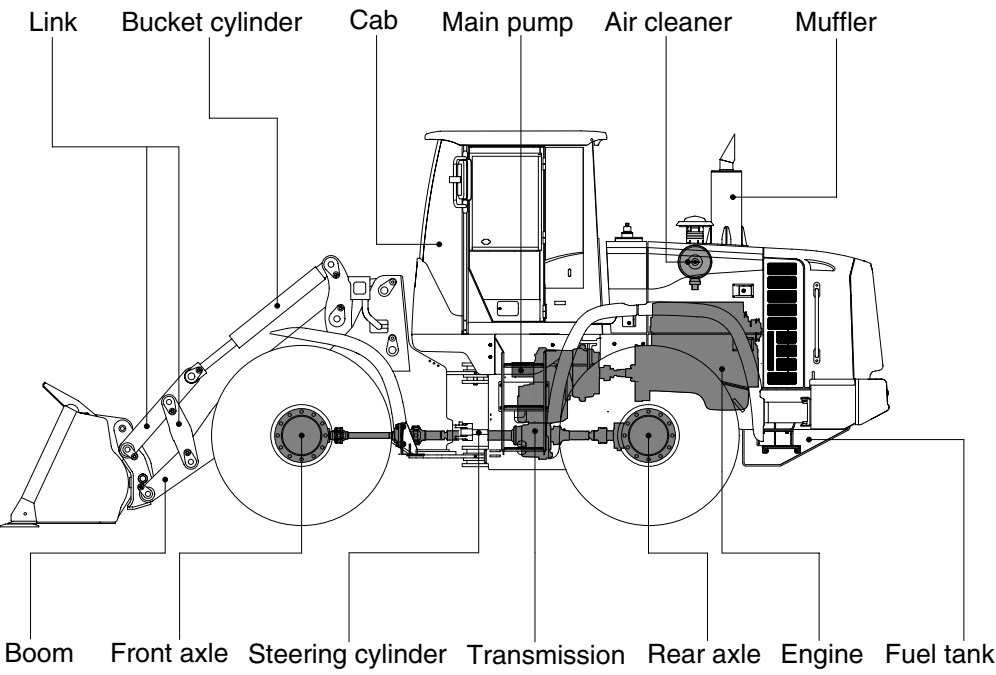
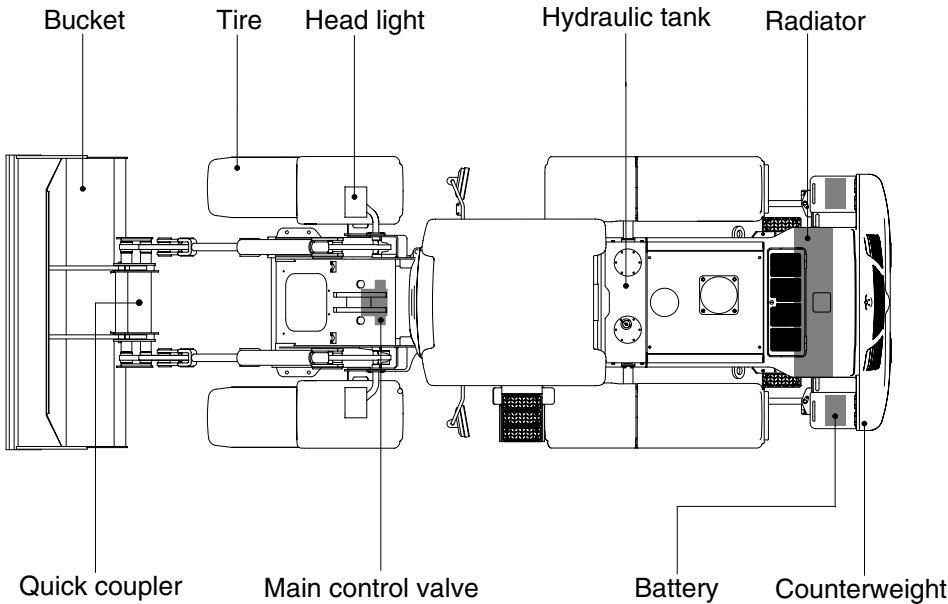


2. SPECIFICATIONS

1. MAJOR COMPONENTS



730TM92SP05