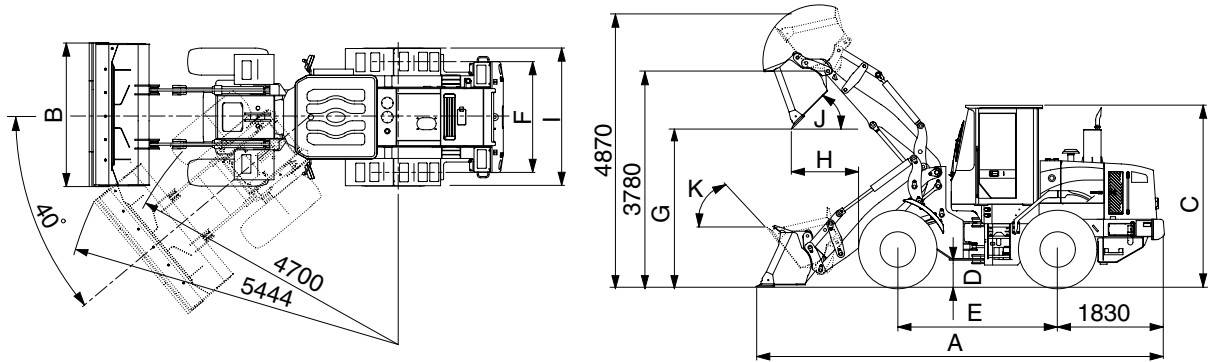


2. SPECIFICATIONS

WITH BOLT-ON CUTTING EDGE TYPE BUCKET



730TM7A2SP03

Description		Unit	Specification	
Operating weight		kg(lb)	10000(22050)	
Bucket capacity	Struck	m ³ (yd ³)	1.4(1.8)	
	Heaped		1.6(2.1)	
Overall length	A	mm(ft-in)	7000(23' 0")	
Overall width	B		2400(7'10")	
Overall height	C		3170(10' 5")	
Ground clearance	D		370(1' 3")	
Wheelbase	E		2750(9' 0")	
Tread	F		1850(6' 0")	
Dump clearance at 45°	G		2785(9' 2")	
Dump reach(Full lift)	H		1140(3' 9")	
Width over tires	I		2295(7' 6")	
Dump angle	J		Degree (°)	50
Roll back angle(Carry position)	K			54
Cycle time	Lift(With load)	sec	5.4	
	Dump(With load)		1.4	
	Lower(Empty)		2.4	
Maximum travel speed		km/hr(mph)	36.0(22.4)	
Braking distance		m(ft-in)	12(39' 4")	
Minimum turning radius(Center of outside tire)			4.7(15' 5")	
Gradability		Degree (°)	30	
Travel speed	Forward	km/hr(mph)	First gear	6.2(3.9)
			Second gear	11.4(7.1)
			Third gear	22.1(13.7)
			Fourth gear	36.0(22.4)
	Reverse		First gear	6.5(4.0)
			Second gear	12.0(7.5)
Third gear		23.1(14.4)		