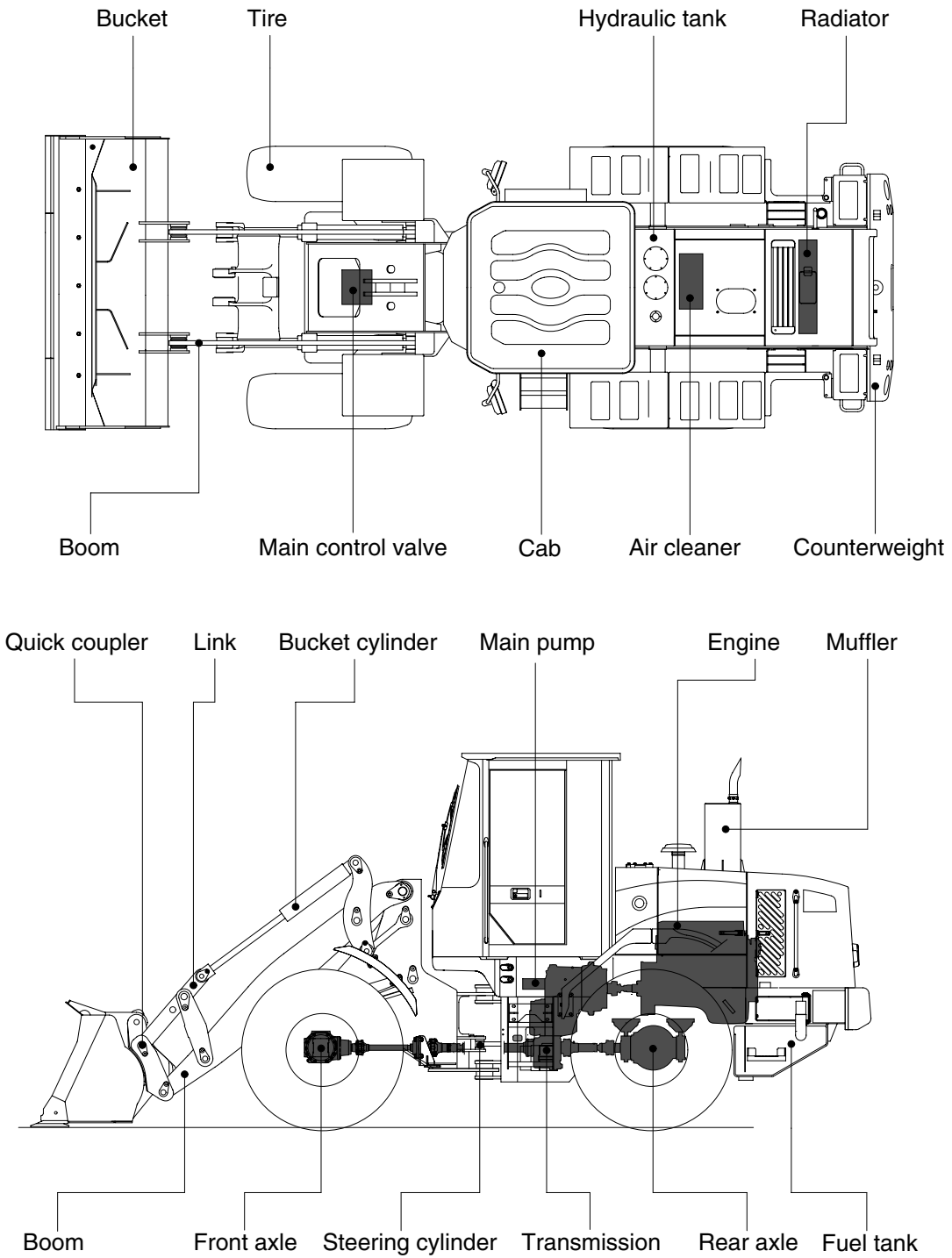


## 2. SPECIFICATIONS

### 1. MAJOR COMPONENTS



730TM7A2SP01