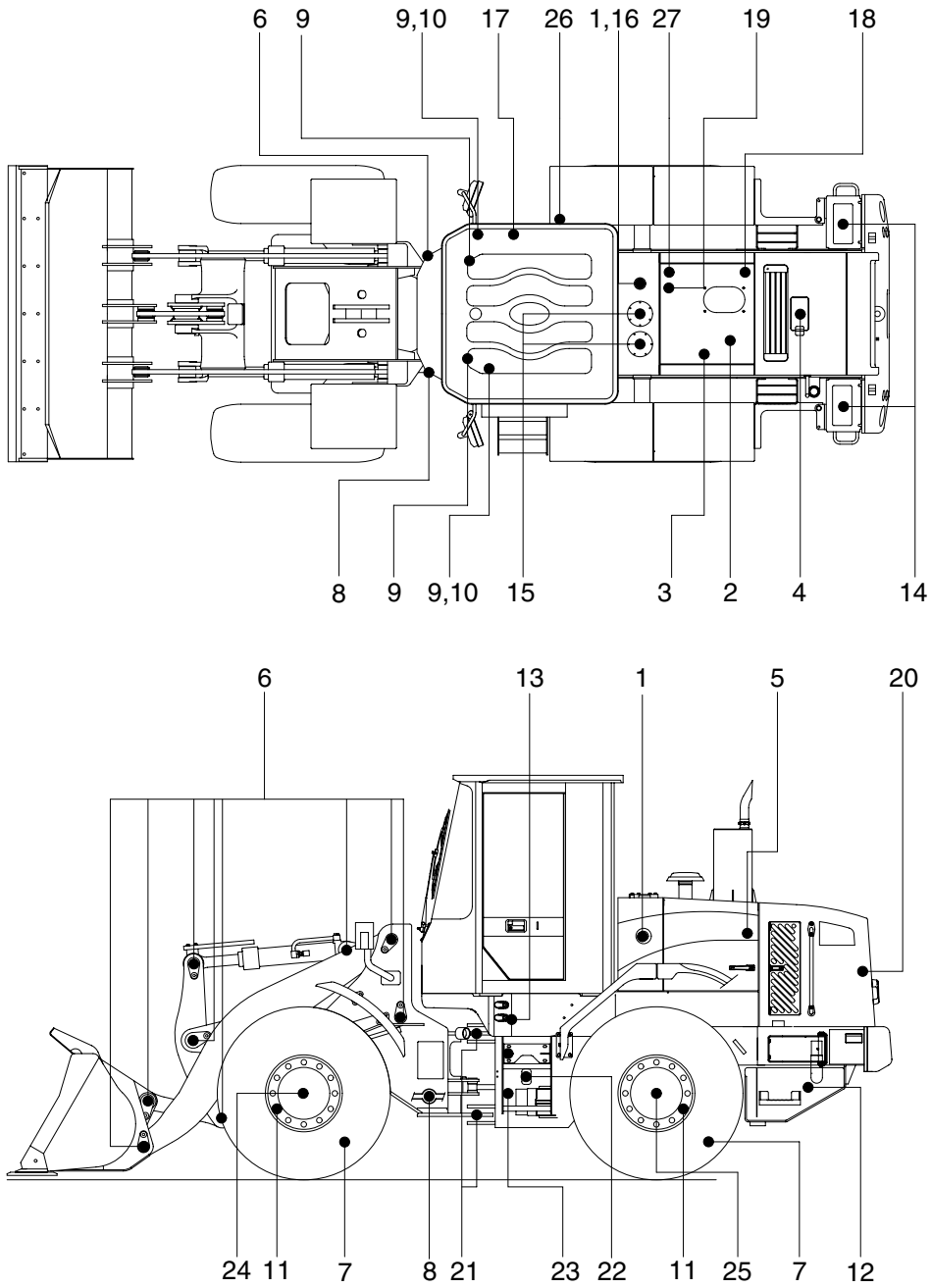


5. MAINTENANCE CHART



7307A6MI05

Caution

1. Service intervals are based on the hour meter reading.
2. The number of each item shows the lubrication point on the machine.
3. Stop engine while filling oil, and use no open flames.
4. For other details, refer to the service manual.

Service interval	Item No.	Description	Service action	Oil symbol	Capacity / (U.S. gal)	Service points No.
10 Hours or daily	1	Hydraulic oil level	Check, Add	HO	90(23.8)	1
	2	Engine oil level	Check, Add	EO	11(2.9)	1
	4	Radiator coolant level	Check, Add	C	30(7.9)	1
	5	Belt tension & damage	Check, Adjust			1
	19	Fuel pre-filter	Clean			1
50 Hours or weekly	6	Attachment pins	Lubricate	PGL		13
	7	Tire(Air)	Check, Add			4
	8	Drive shaft(Front, center)	Lubricate	PGL		2
	9	Steering cylinder pin	Lubricate	PGL		4
	10	Rear axle pivot	Lubricate	PGL		2
250 Hours	11	Wheel nuts	Check, Tight			40
	12	Fuel tank(Water, sediment)	Drain		11(2.9)	1
	13	Brake line filter(Strainer)	Check, Clean			1
	14	Battery(Voltage)	Check, Add			2
	16	Hydraulic tank air breather element	Replace			1
	26	air conditioner and heater outer filter	Check, Clean			1
500 Hours	2	Engine oil	Change	EO		1
	3	Engine oil filter	Replace			1
	18	Fuel filter element	Replace			1
	19	Fuel pre-filter	Replace			1
	20	Radiator, oil cooler, charge air cooler	Clean			3
	27	Air cleaner element(Primary)	Clean			1
1000 Hours	15	Hydraulic oil return filter	Replace			1
	17	Pilot line filter element	Replace			1
	21	Center pivot pin	Lubricate	PGL		2
	22	Transmission oil	Change	EO	20(5.3)	1
	23	Transmission oil filter	Replace			1
	24	Axle oil(Front)	Change	GO	18.4(4.9)	3
	25	Axle oil(Rear)	Change	GO	18.4(4.9)	3
2000 Hours	1	Hydraulic oil	Change	HO	90(23.8)	1
	4	Radiator coolant	Change	C	30(7.9)	1
When required	26	Air cleaner element(Safety and primary)	Clean, Replace			2
	27	Air conditioner and heater outer filter	Replace			1
		Air conditioner and heater inner filter	Clean, Replace			1

※ **Oil symbol**

Refer the recommended lubricants for specification.

- EO : Engine oil
- HO : Hydraulic oil
- GO : Gear oil
- PGL : Grease
- C : Coolant