

## 5. OPERATION OF THE WORKING DEVICE

※ **Confirm the operation of control lever and working device.**

- 1) Control lever operates the boom and the bucket.
- 2) When you release the control lever, control lever returns to neutral position automatically.
- 3) When the control lever operates to the position of boom float, boom kick out and bucket leveler ; these function is completed, then the control lever returns to the neutral position.

※ **Control lever**



**Boom lower(1)**

Push the control lever forward in order to lower the boom.



**Boom raise(2)**

Pull the control lever backward in order to raise the boom.



**Bucket roll back(3)**

Move the control lever toward the left in order to tilt the bucket backward.



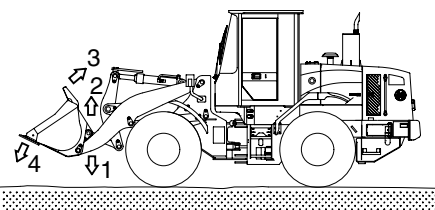
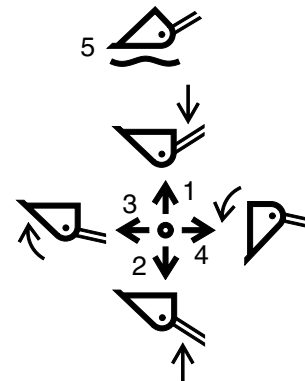
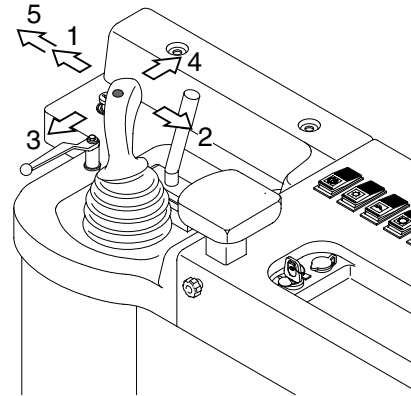
**Bucket dump(4)**

Move the control lever toward the right in order to dump a load from the bucket.



**Boom float(5)**

Push the control lever forward into the detent.  
The boom will lower to the ground.  
The boom will float along the contour of the ground.



7307A4OP08